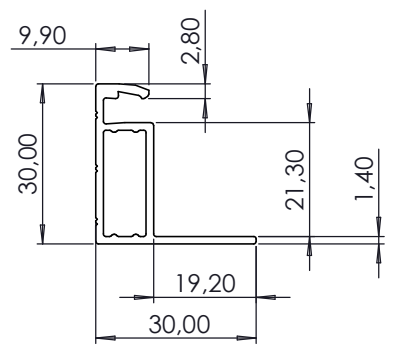


4 Mounting holes  
14x9

Cables : 1100mm

4 Grounding holes

Cells :  
18 Rows  
6 Columns



Moment of inertia  
 $I_x = 0,501 \text{ cm}^4$   
 $I_y = 1,843 \text{ cm}^4$

DATE	07/04/2023	Commercial name <b>FLASH 415 Half-Cut White</b>
NAME	SSA	
Company	DualSun	
Address	2 Rue Marc Donadille 13013 Marseille	Model type <b>DS415-108M10-02</b>