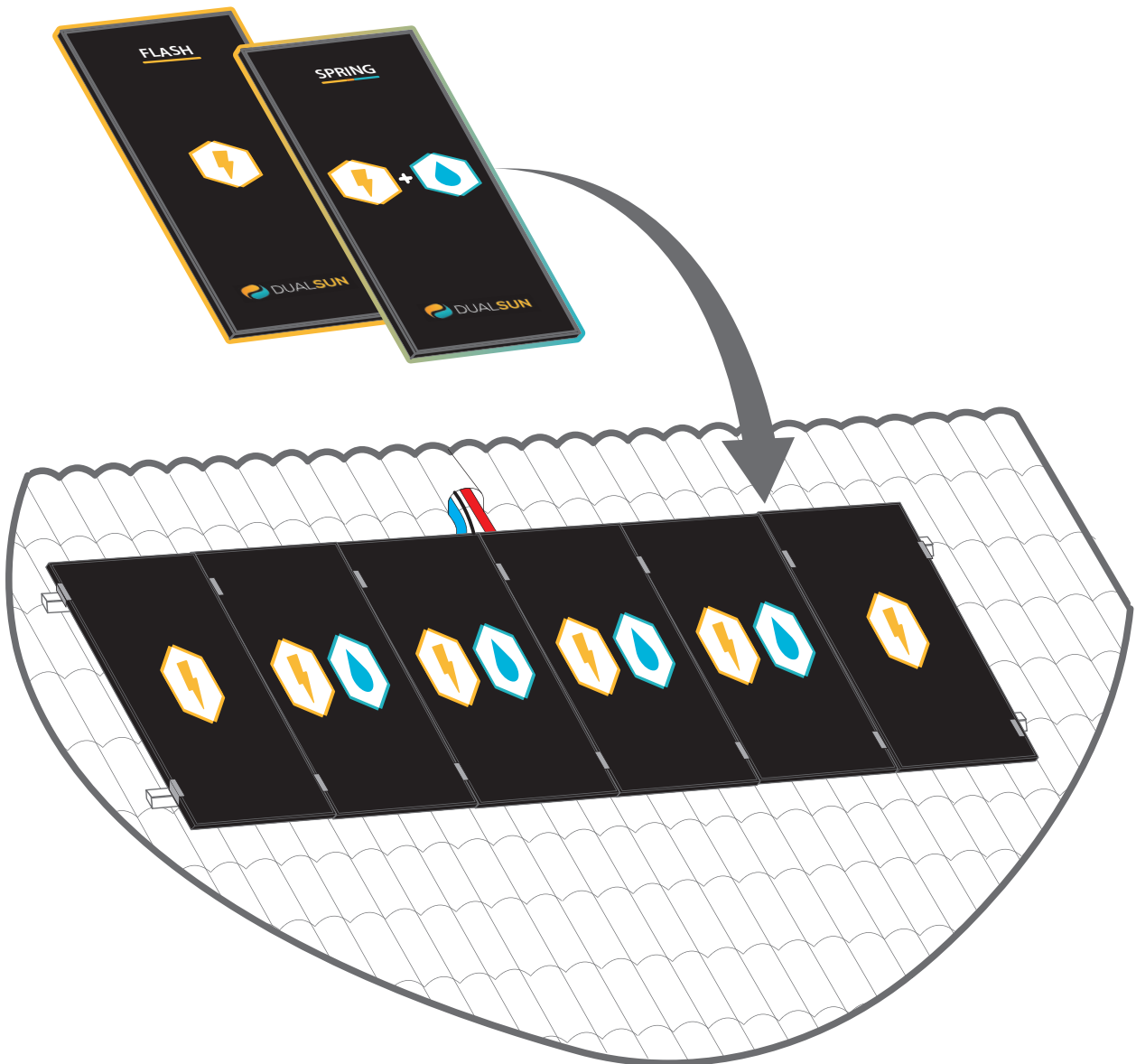




Dualsun

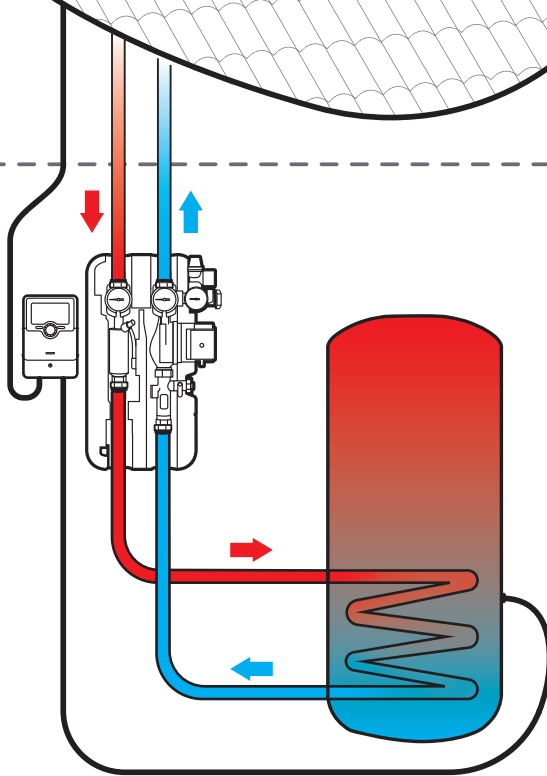
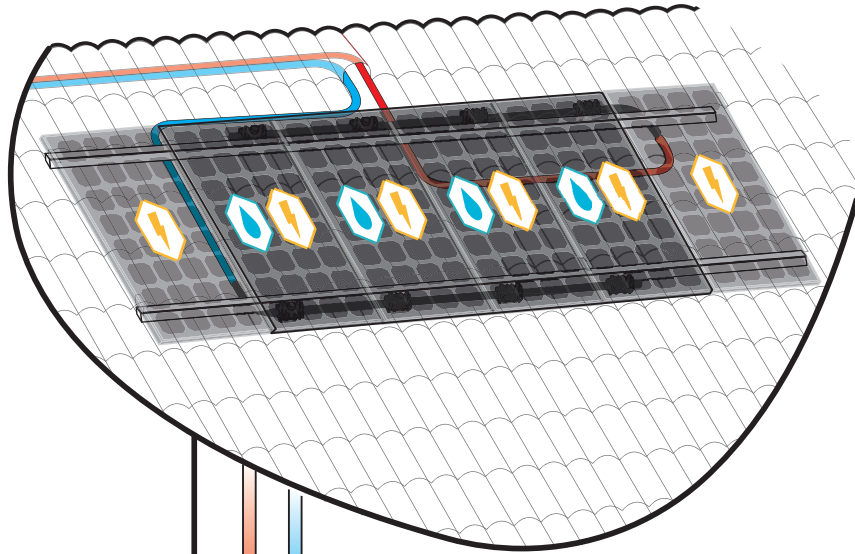


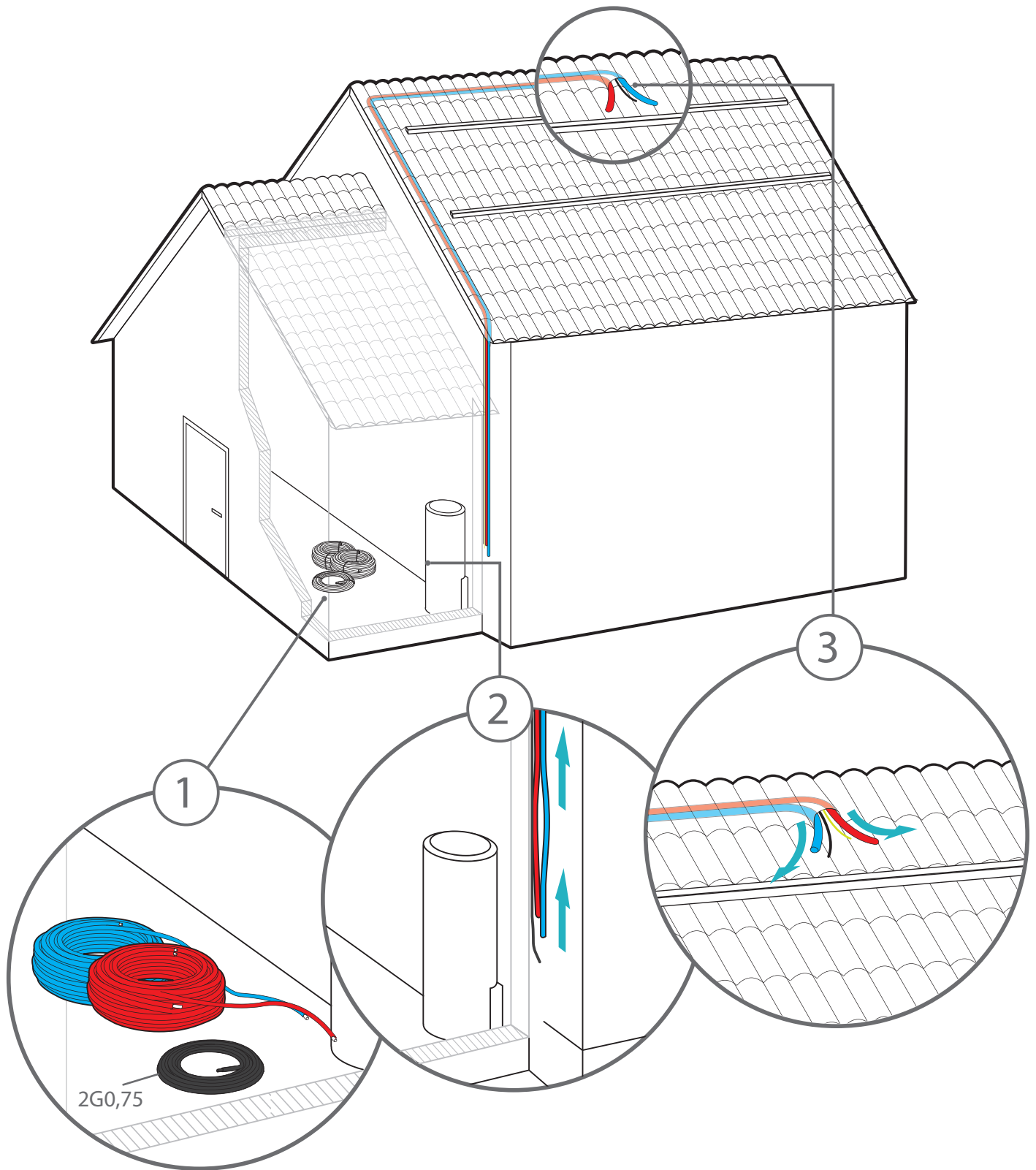


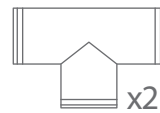
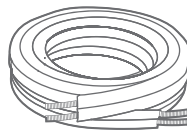
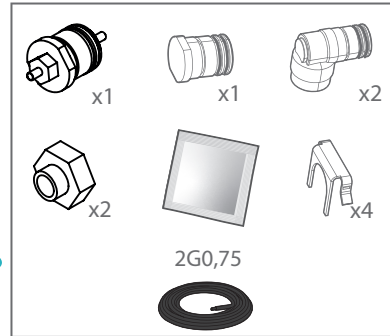
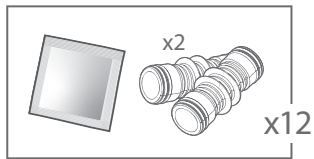
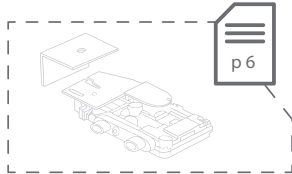
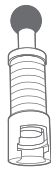
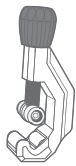
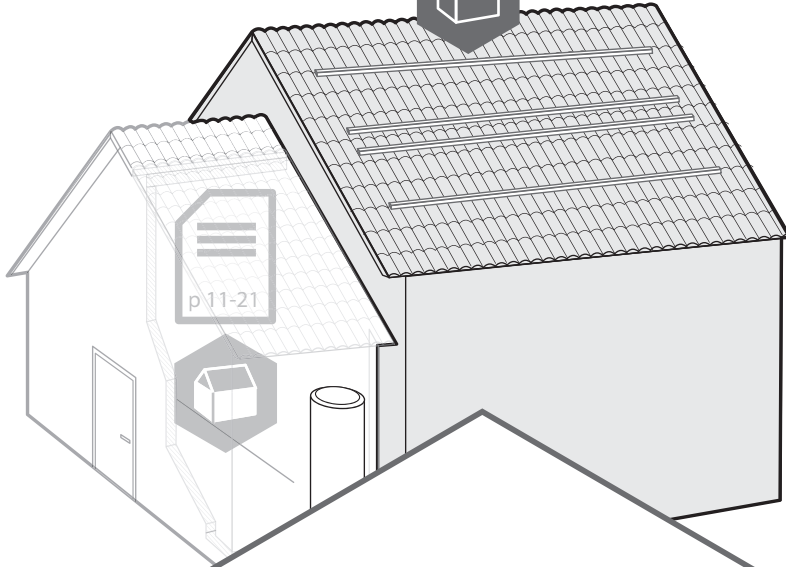
SPRING



FLASH

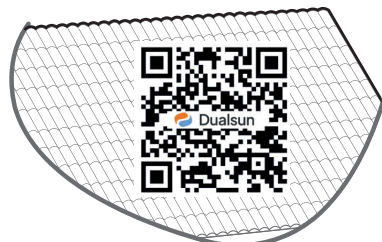
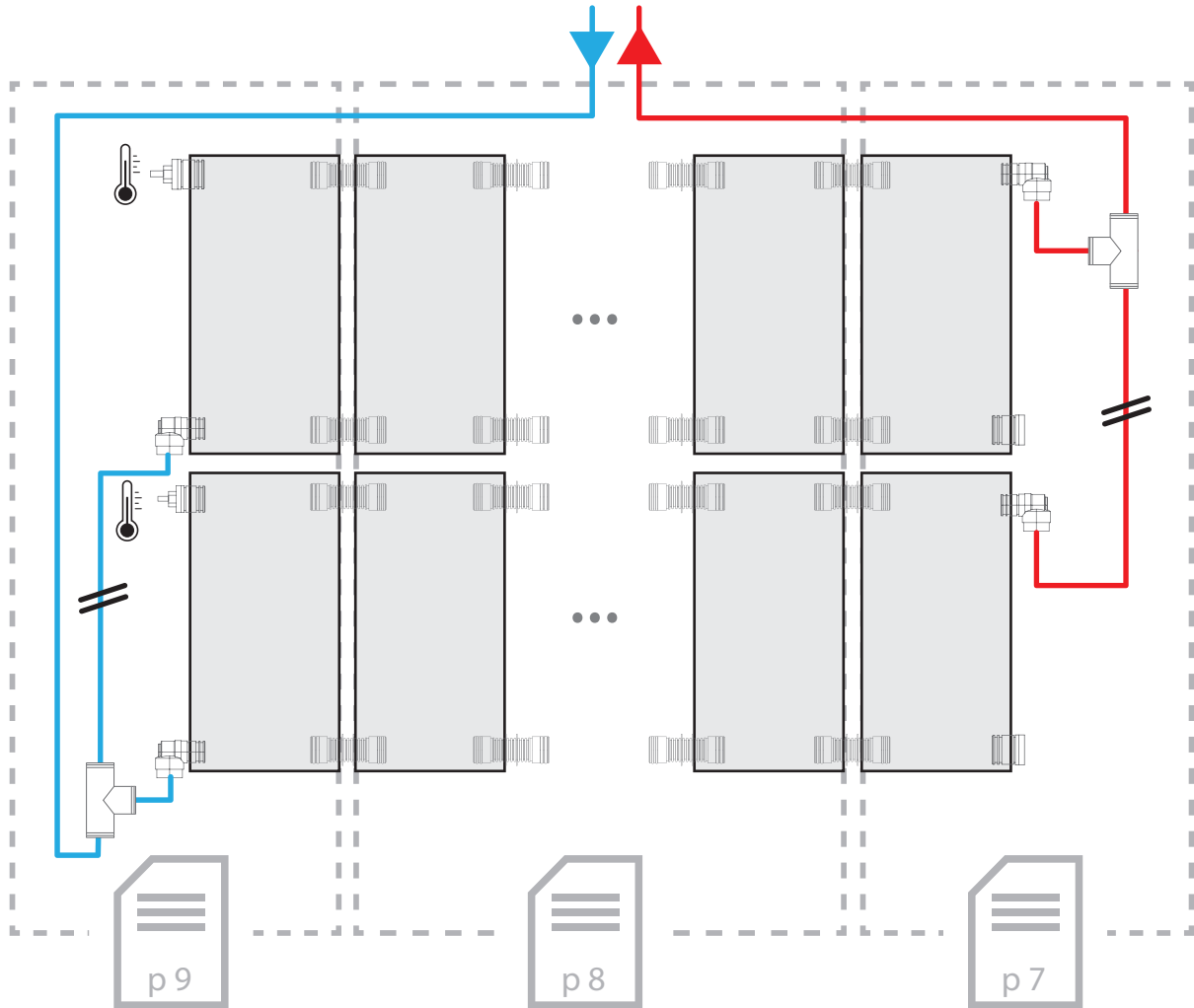
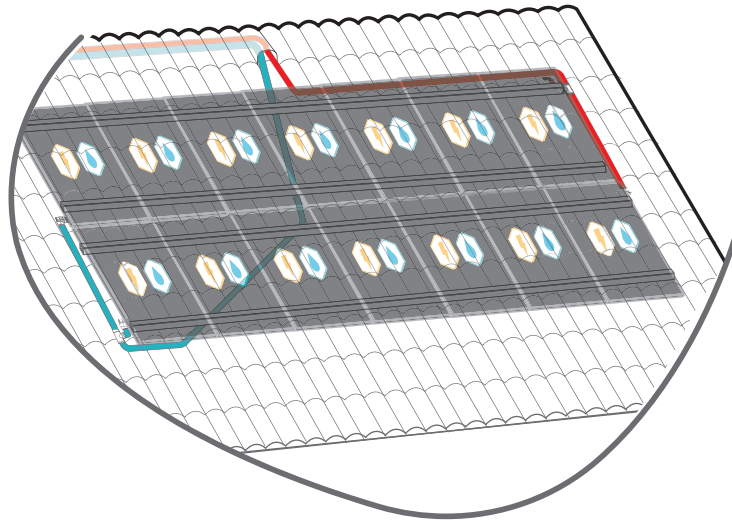


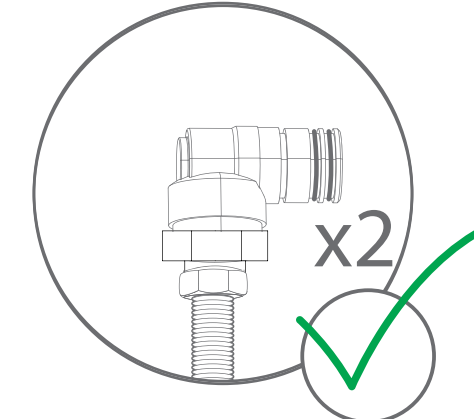
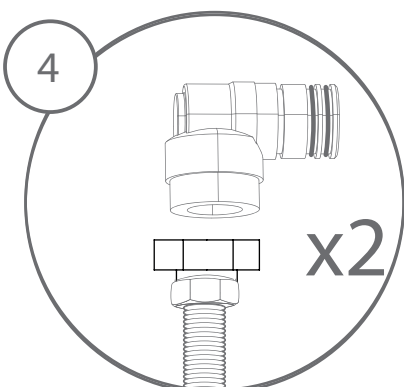
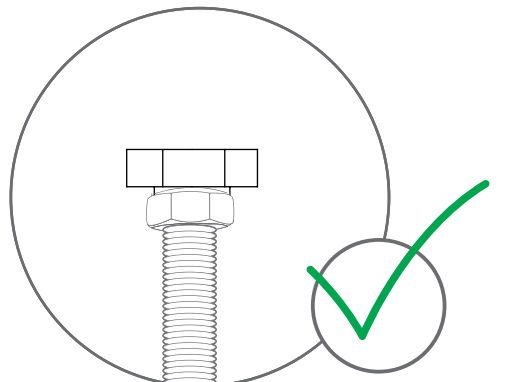
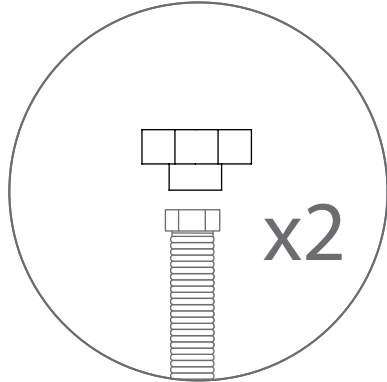
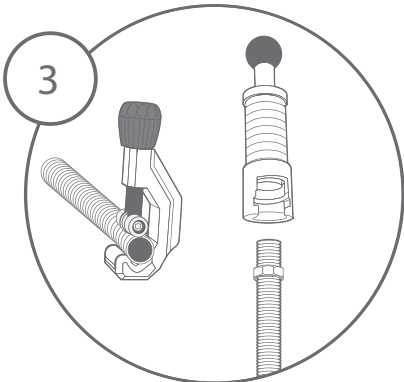
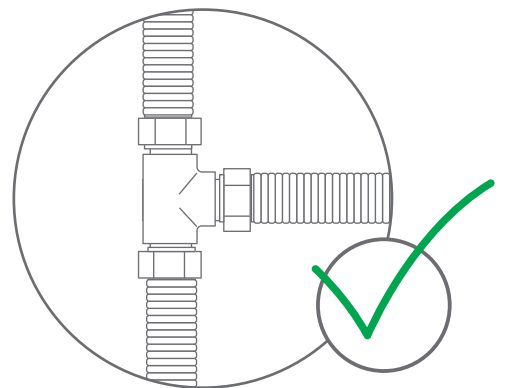
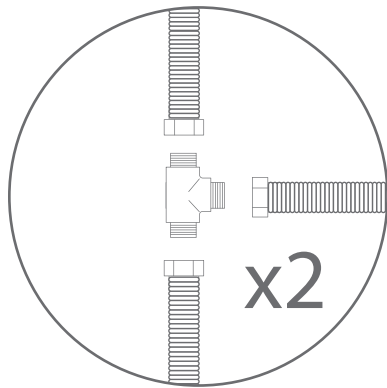
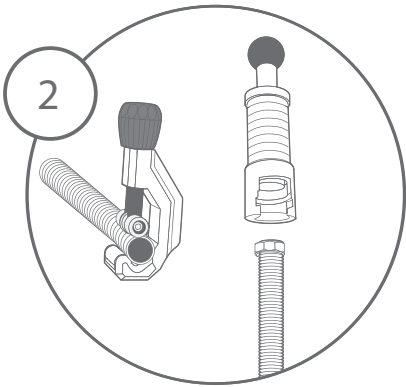
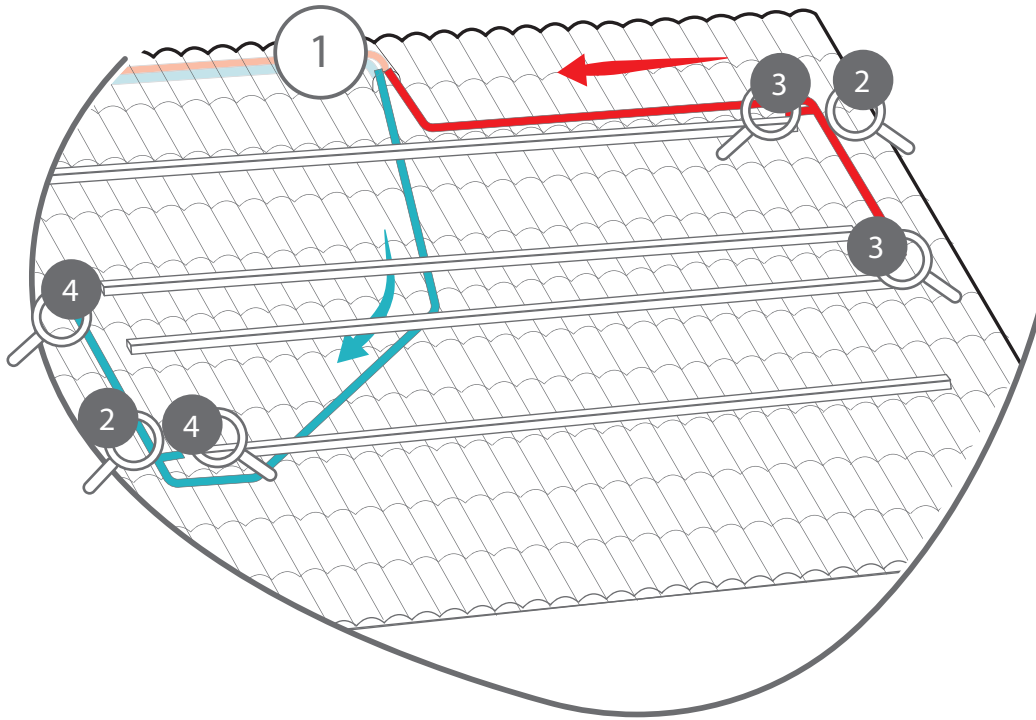


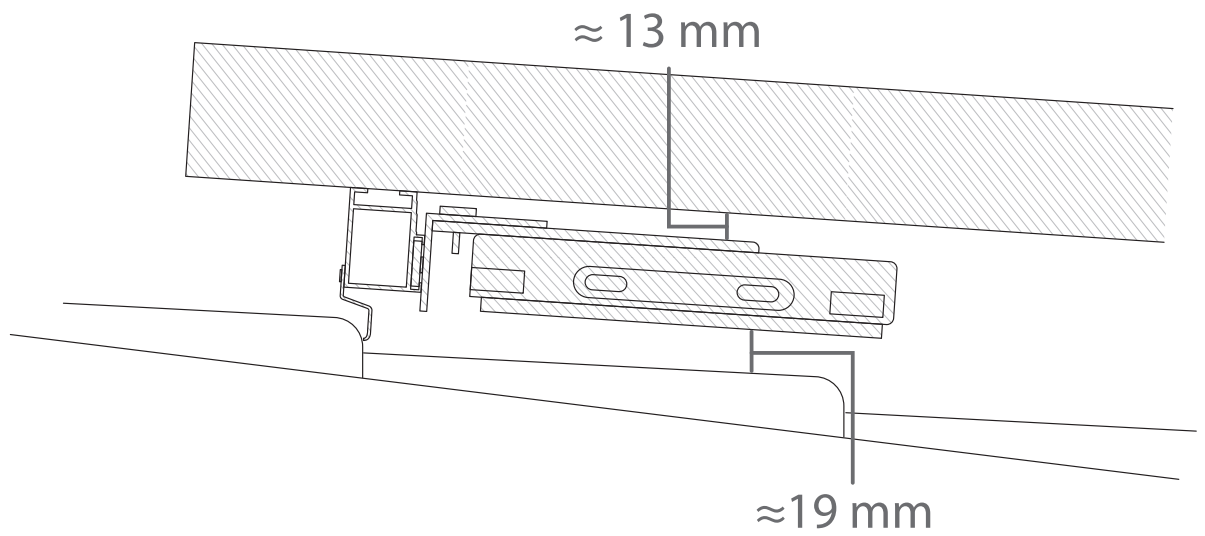
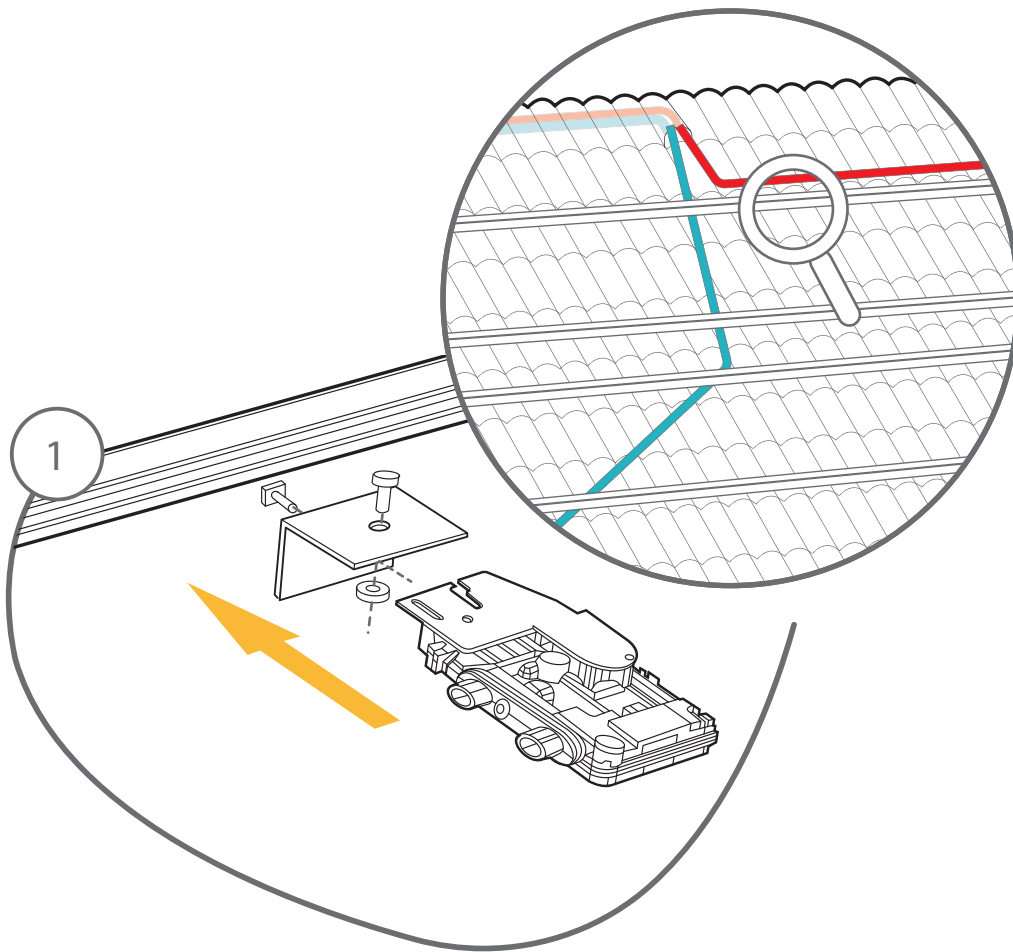


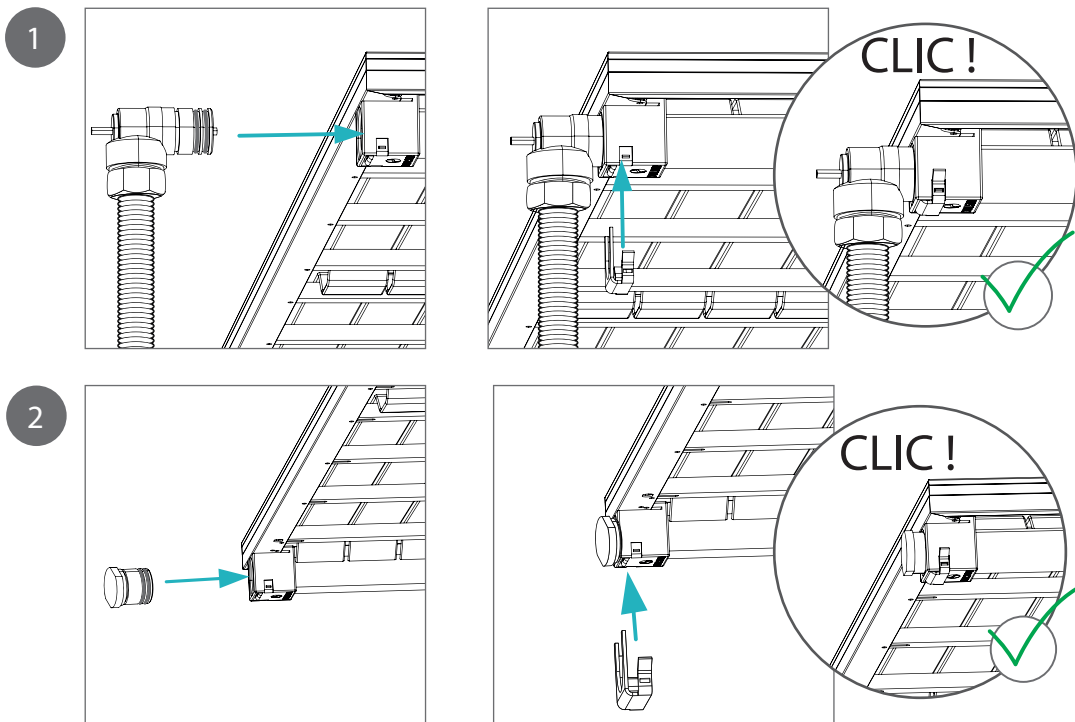
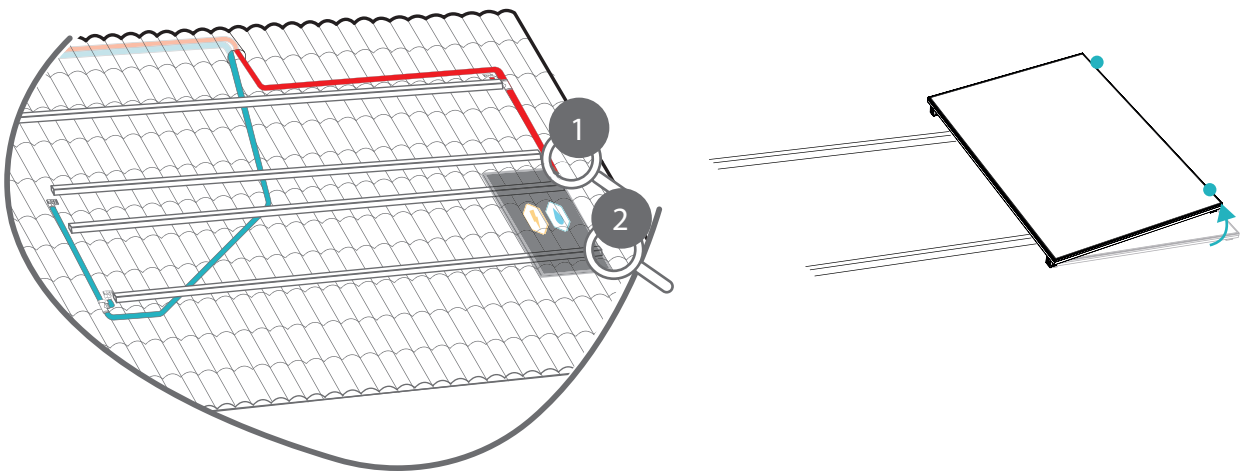
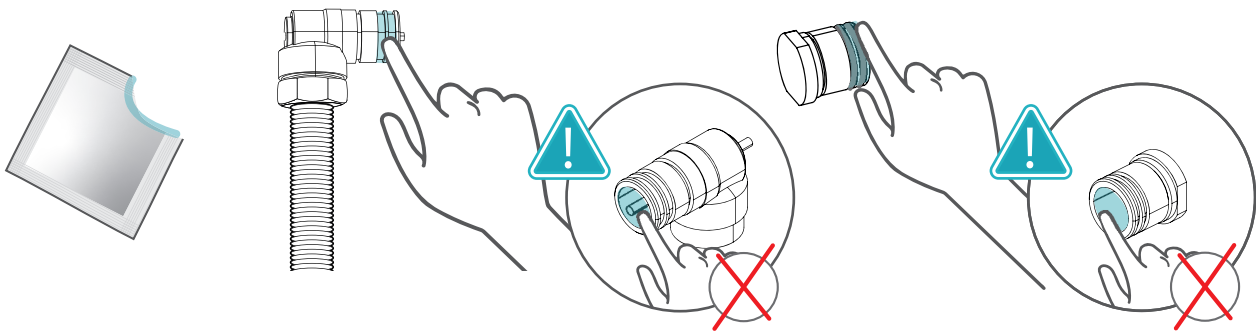


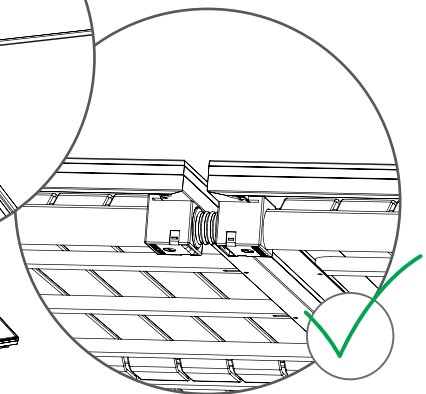
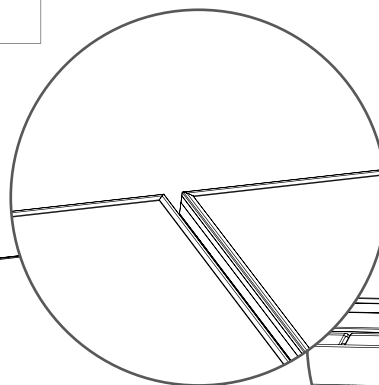
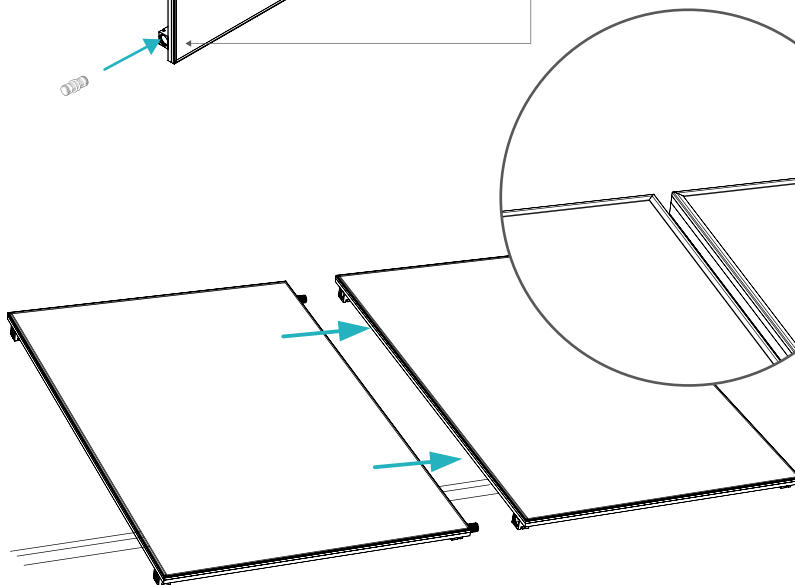
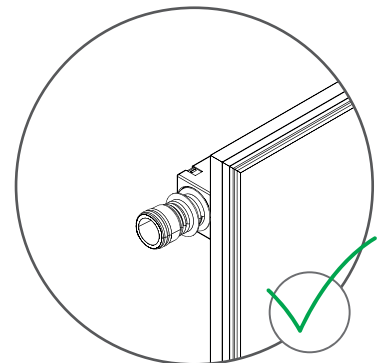
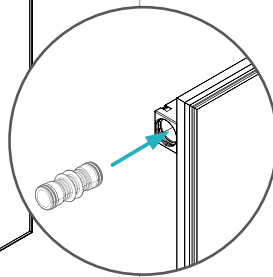
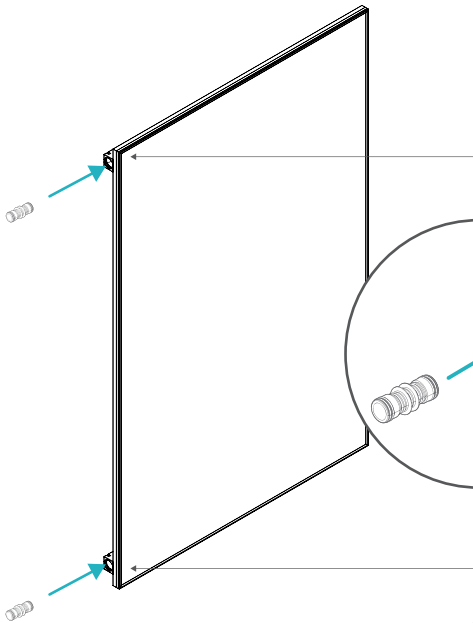
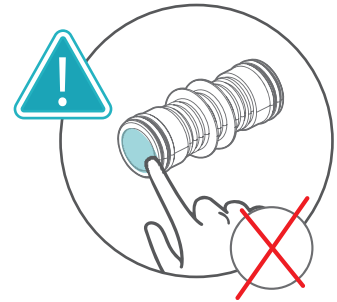
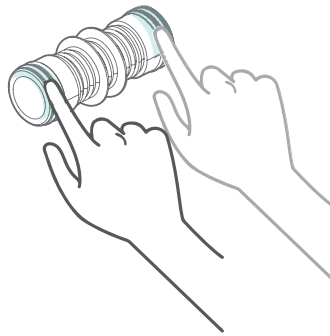
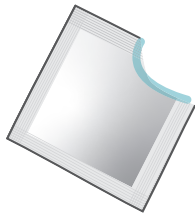
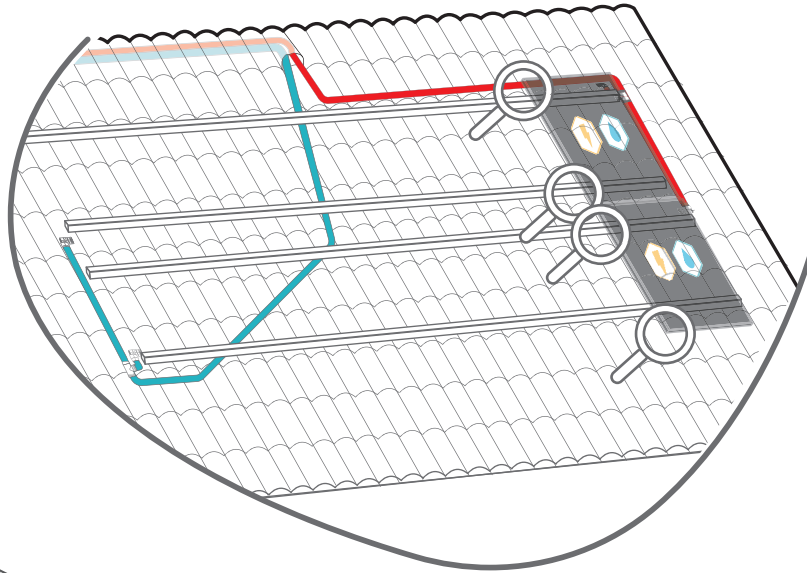
SPRING4

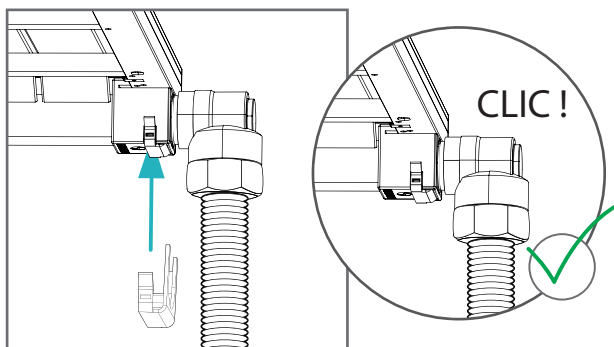
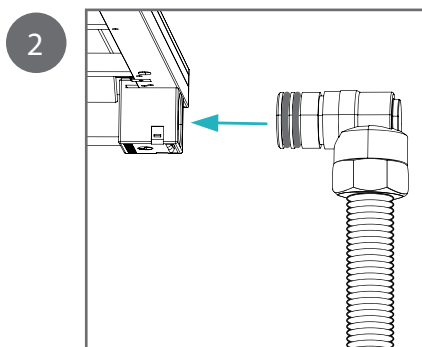
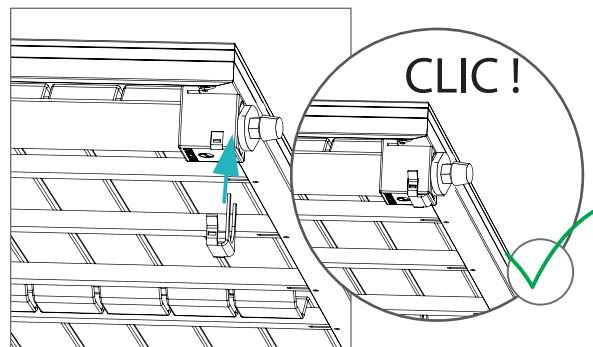
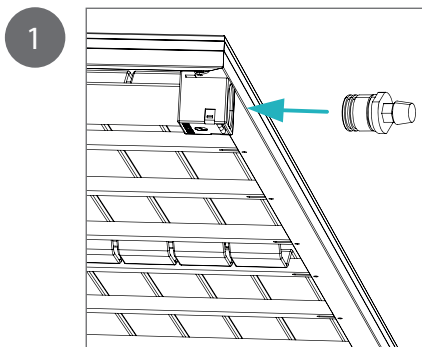
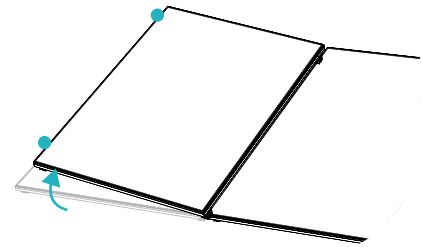
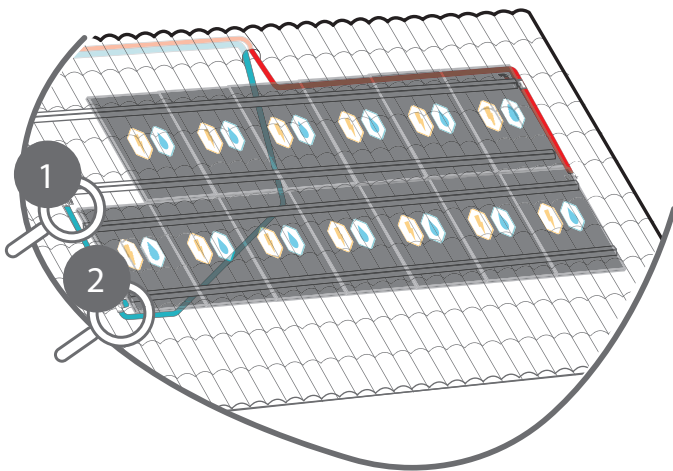
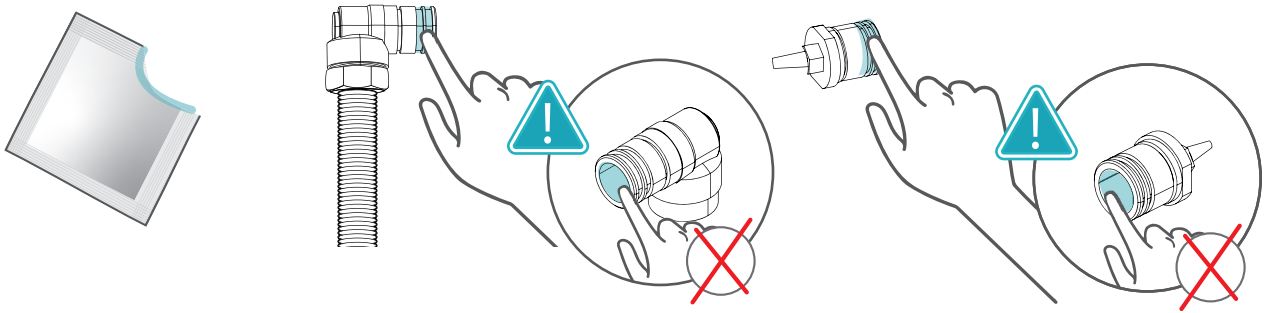


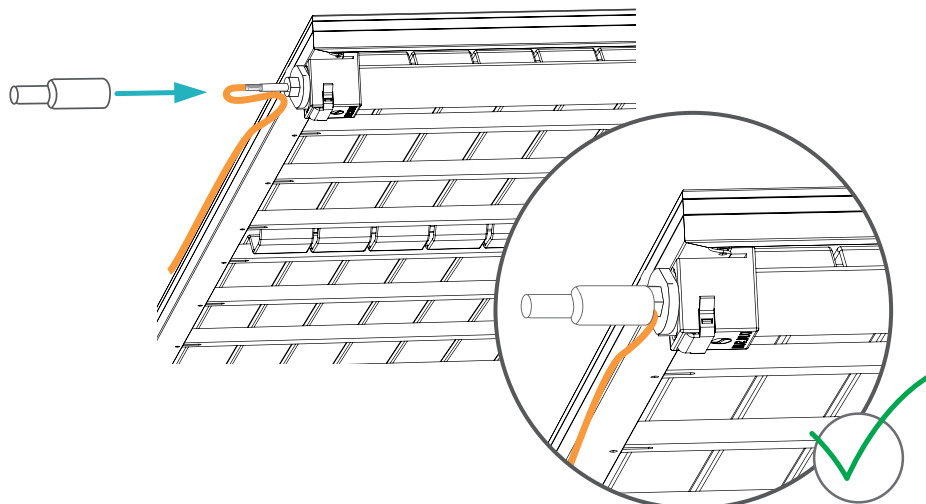
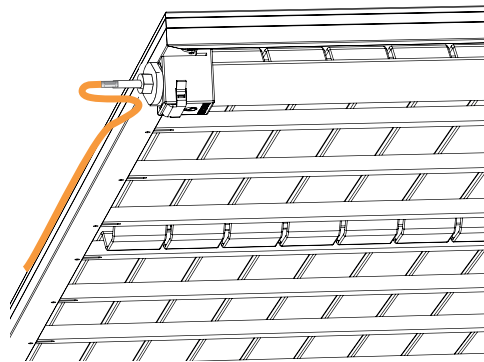
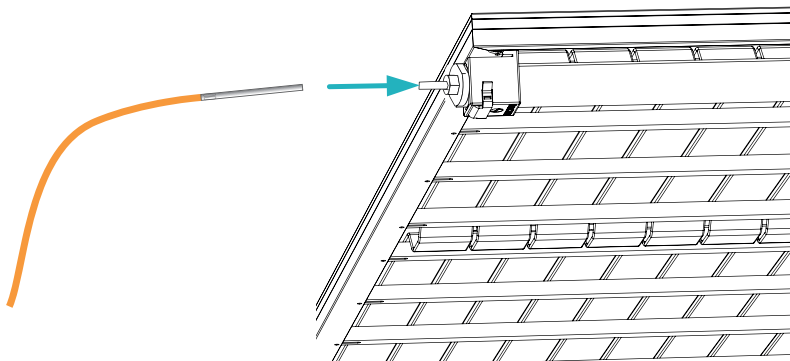
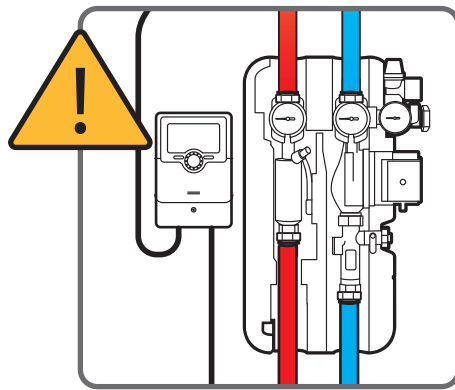


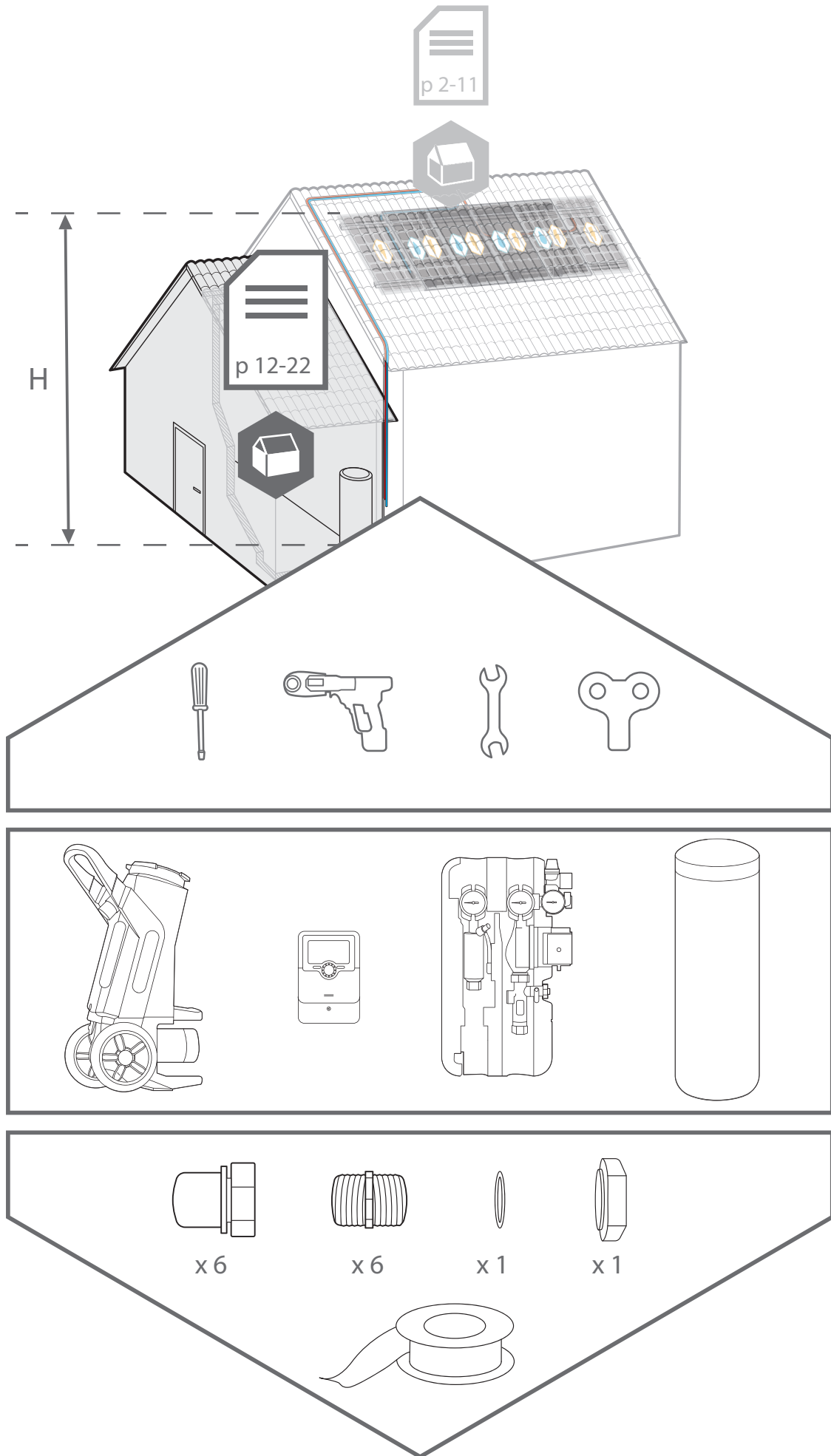


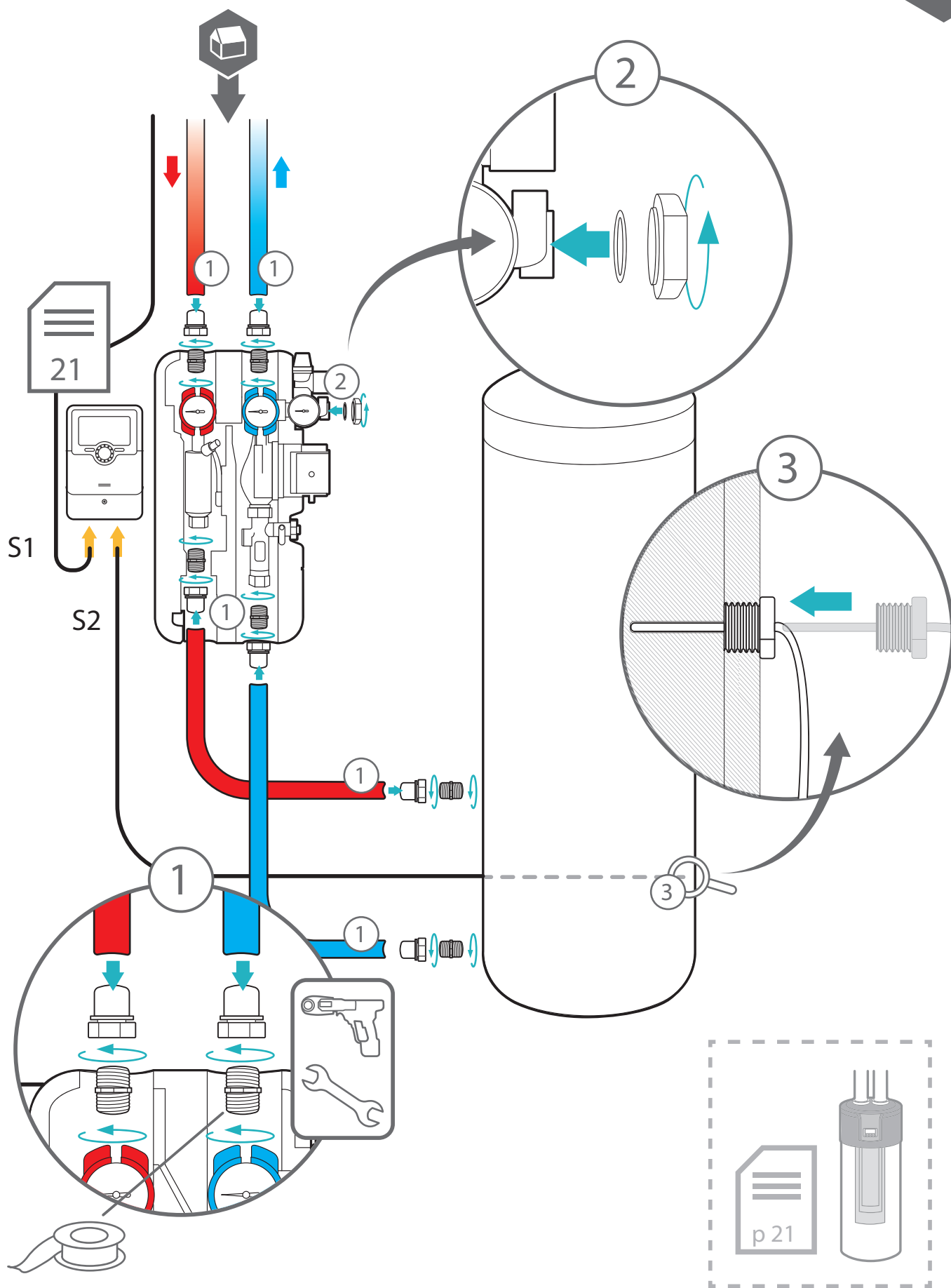


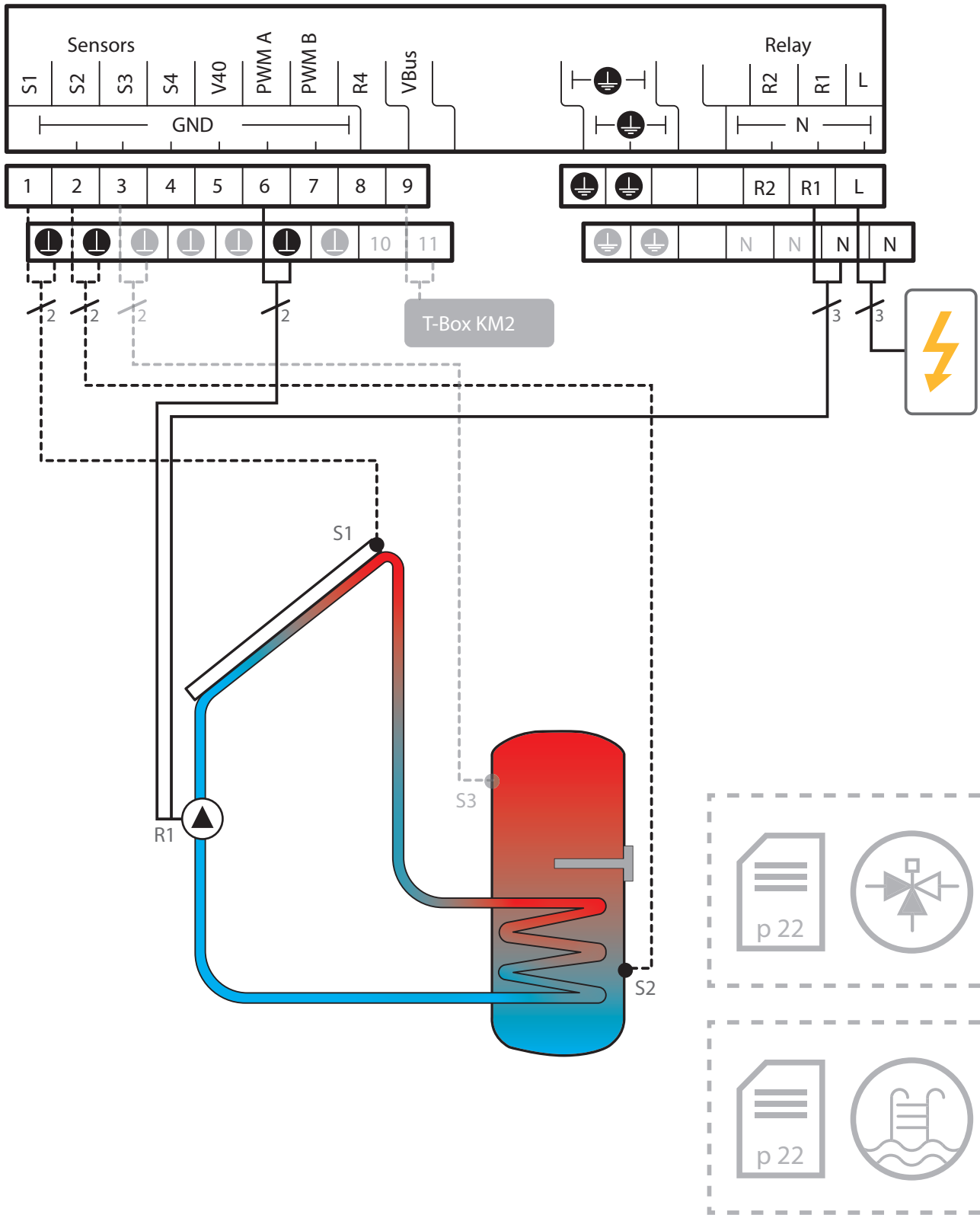


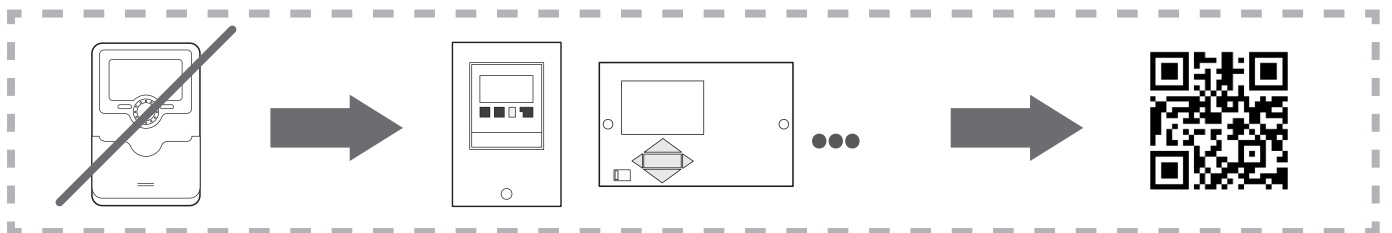
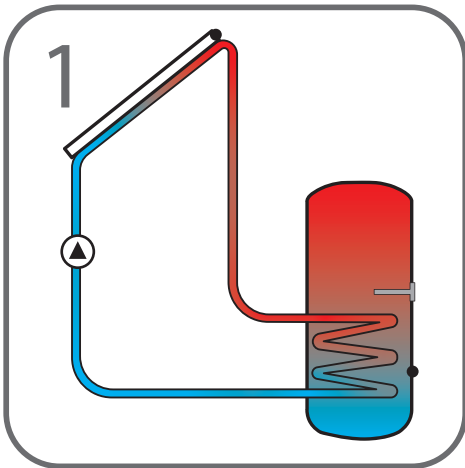
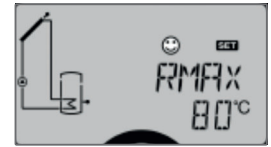
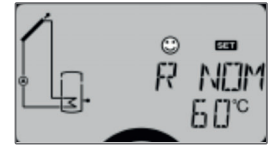
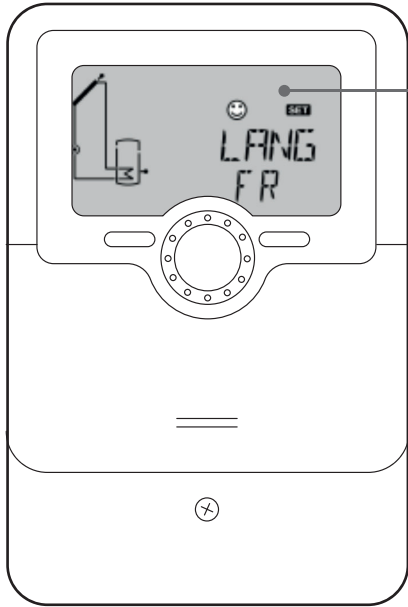
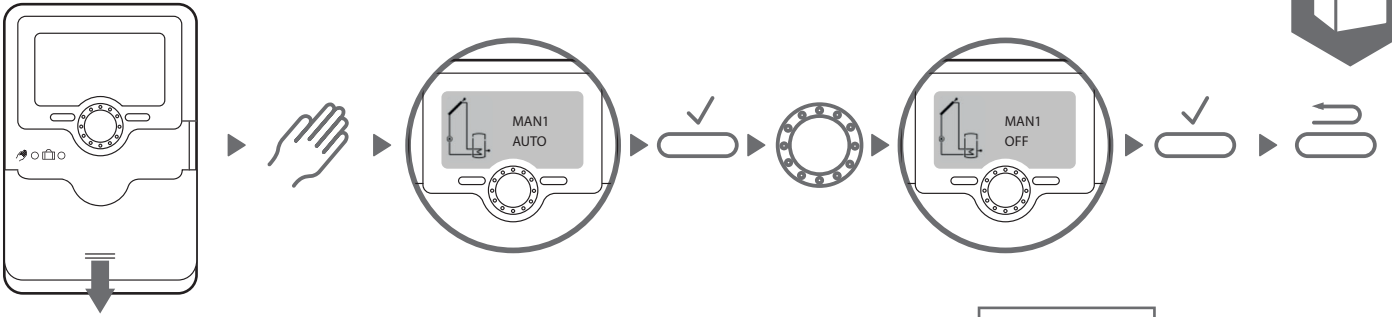


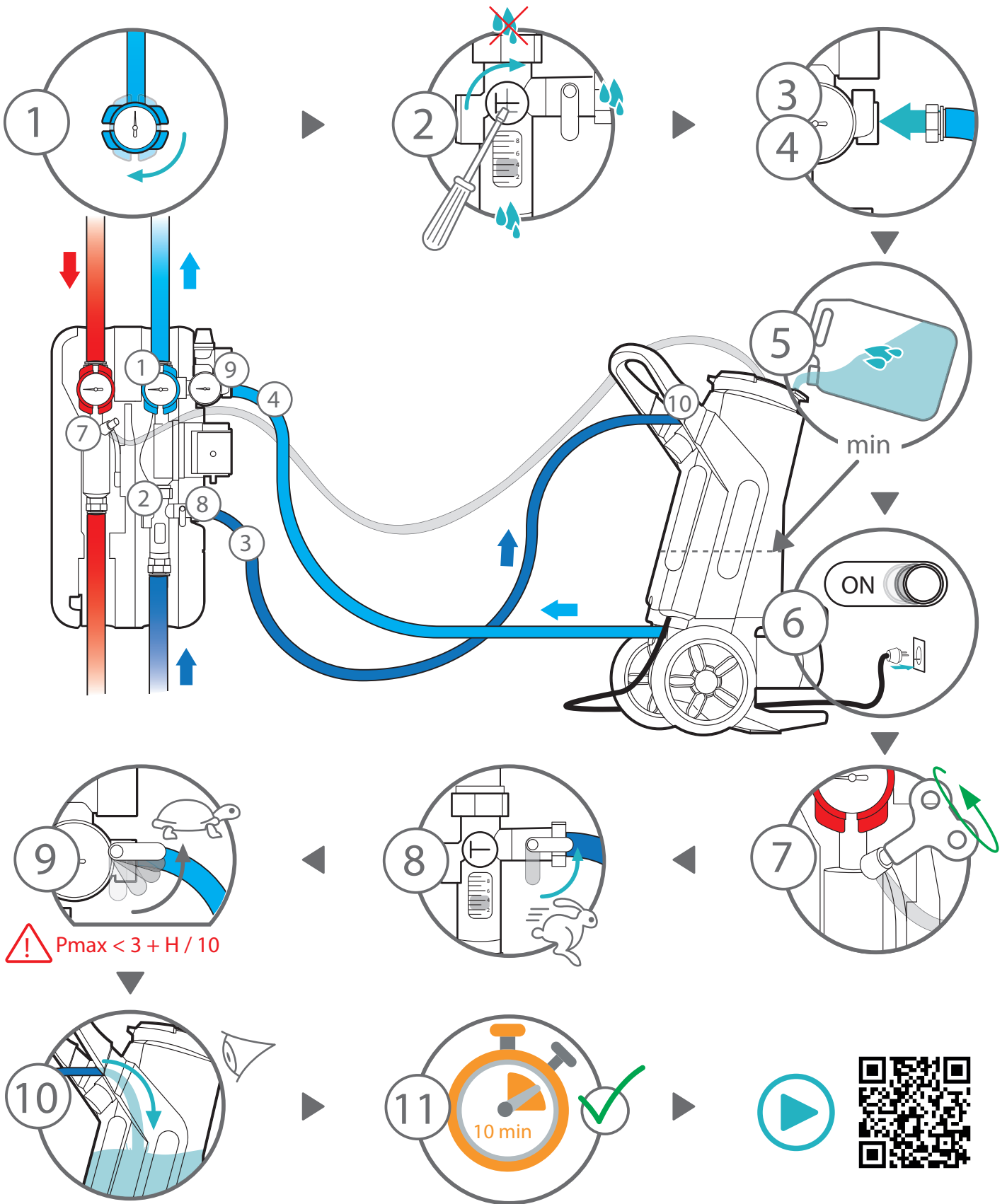


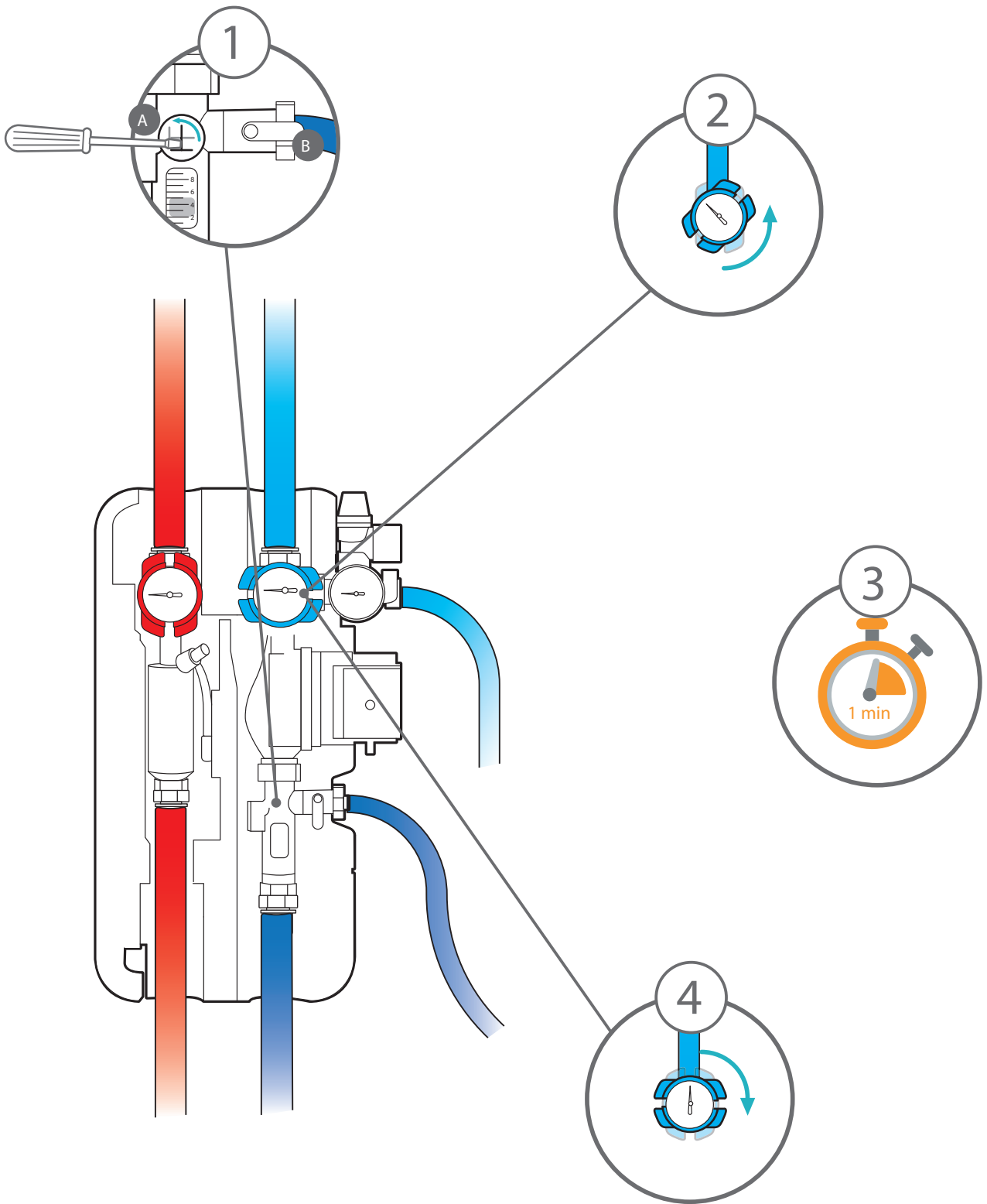


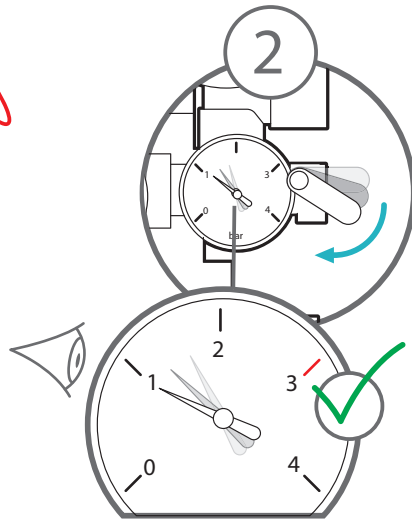
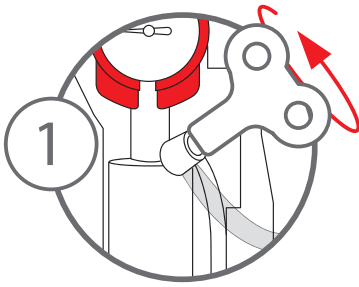




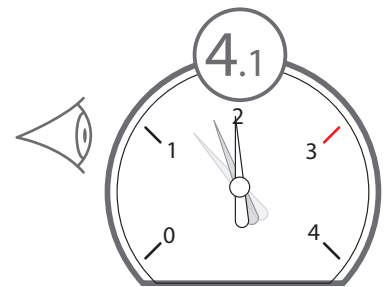
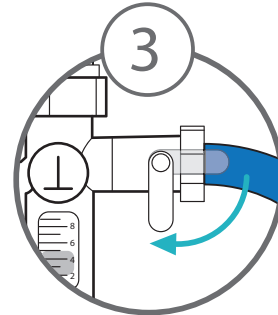




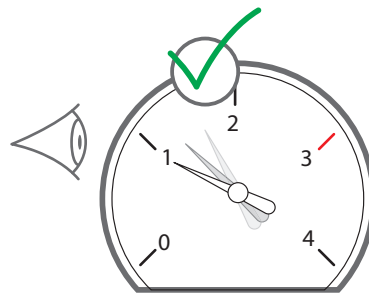
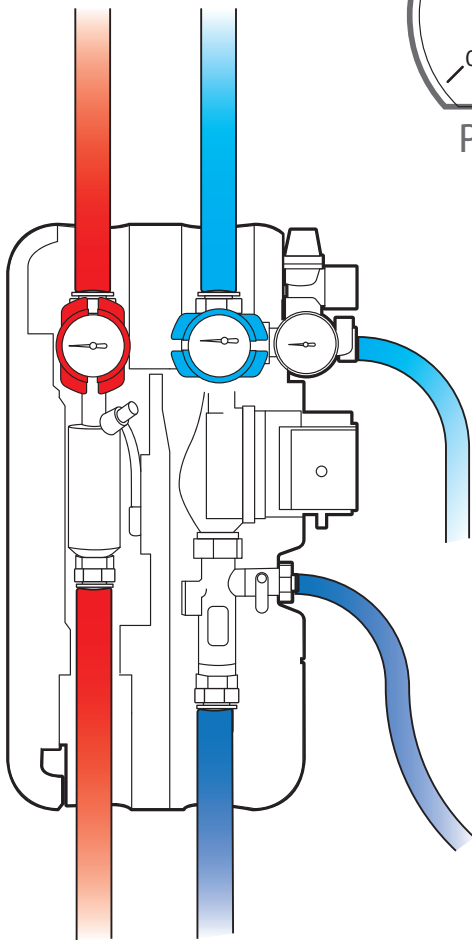




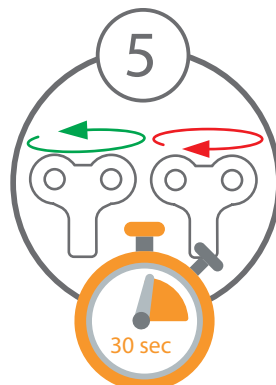
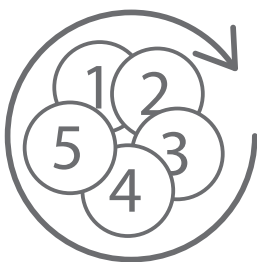
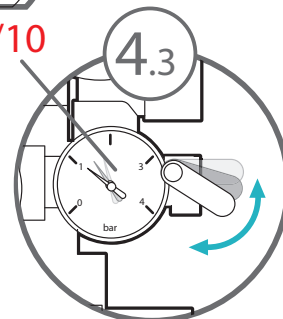
P = 1 bar

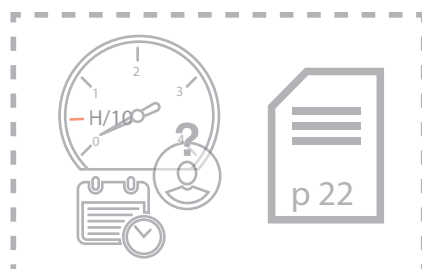
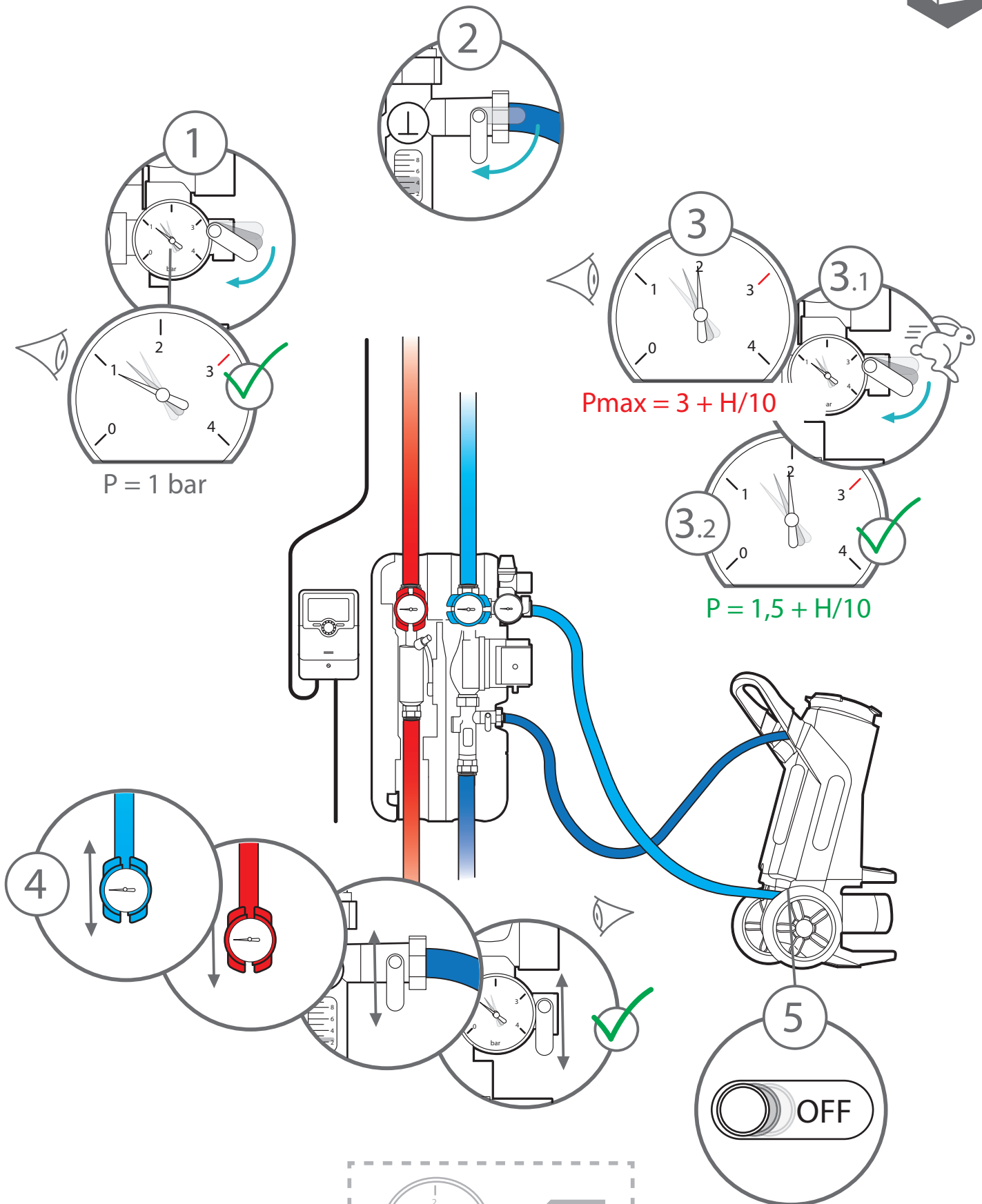


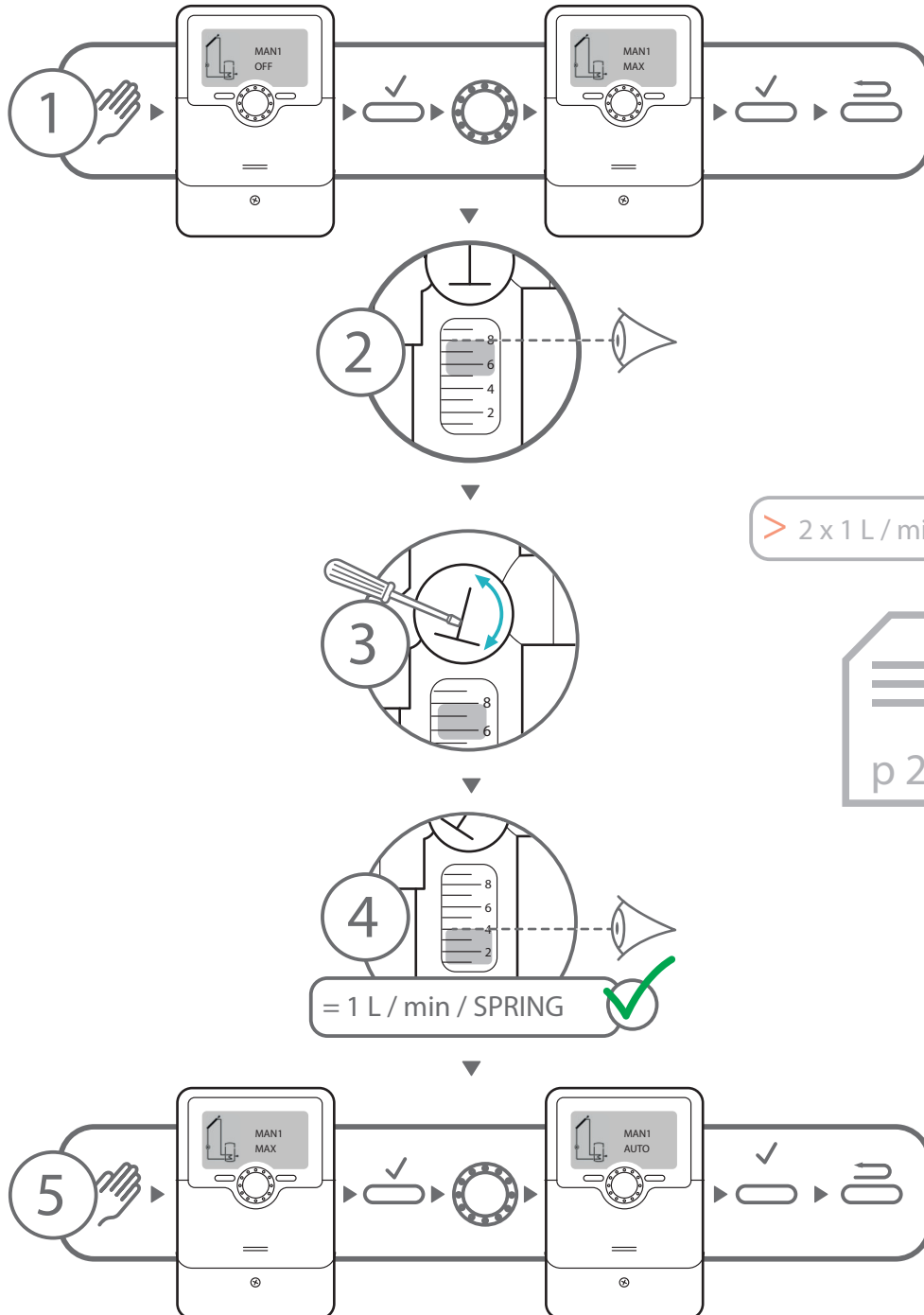
Pmax = 3 + H/10

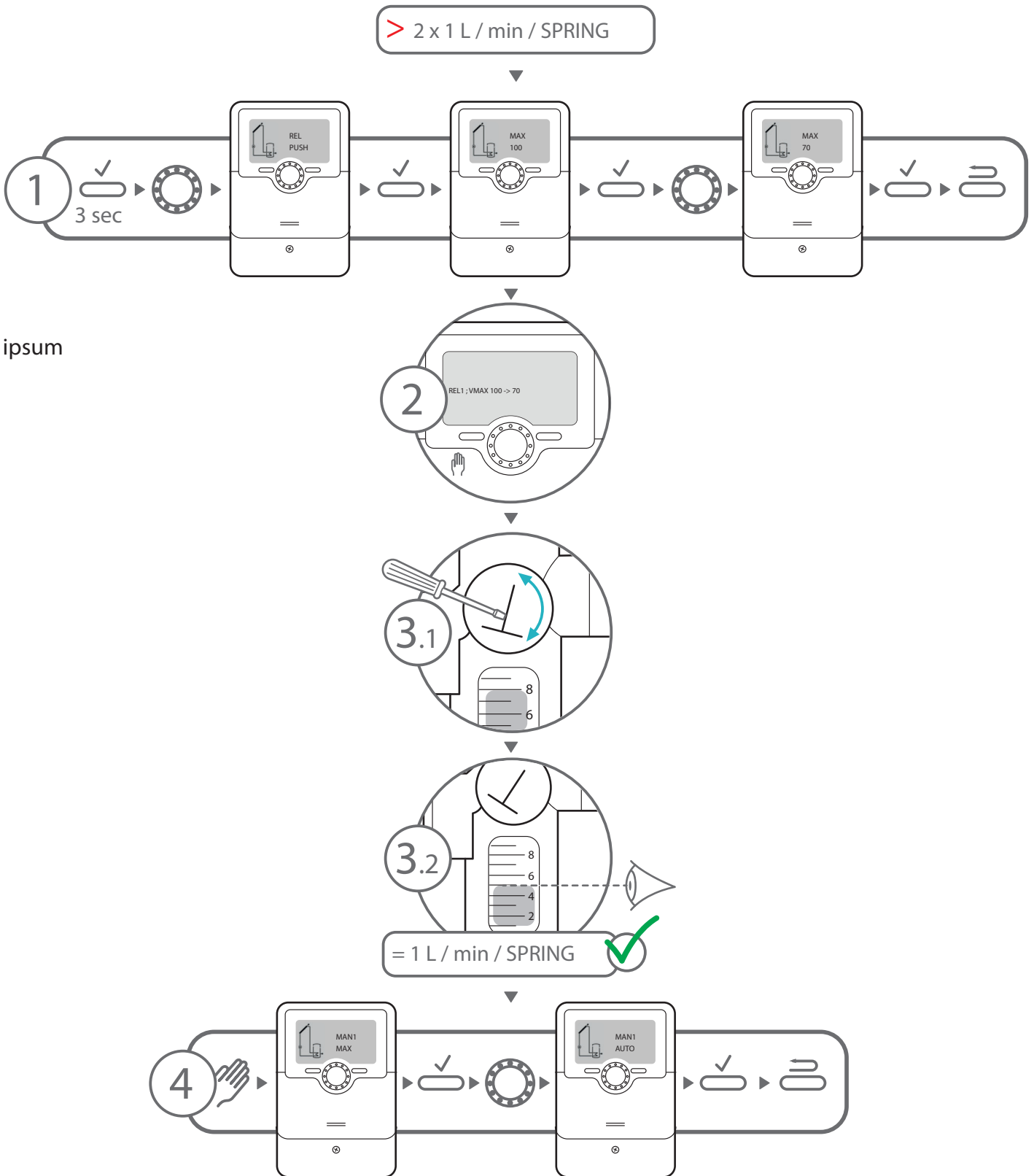


Pmax = 3 + H/10

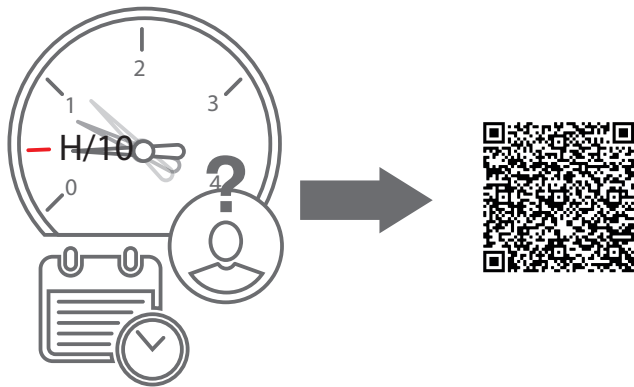
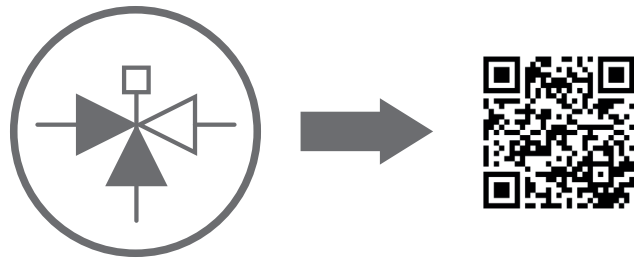
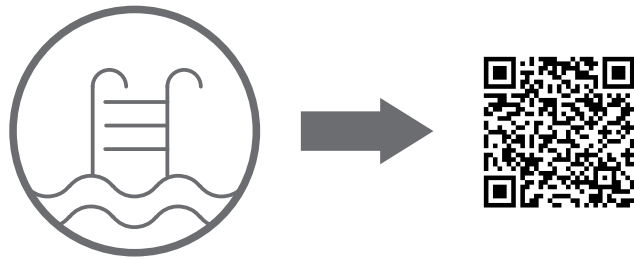
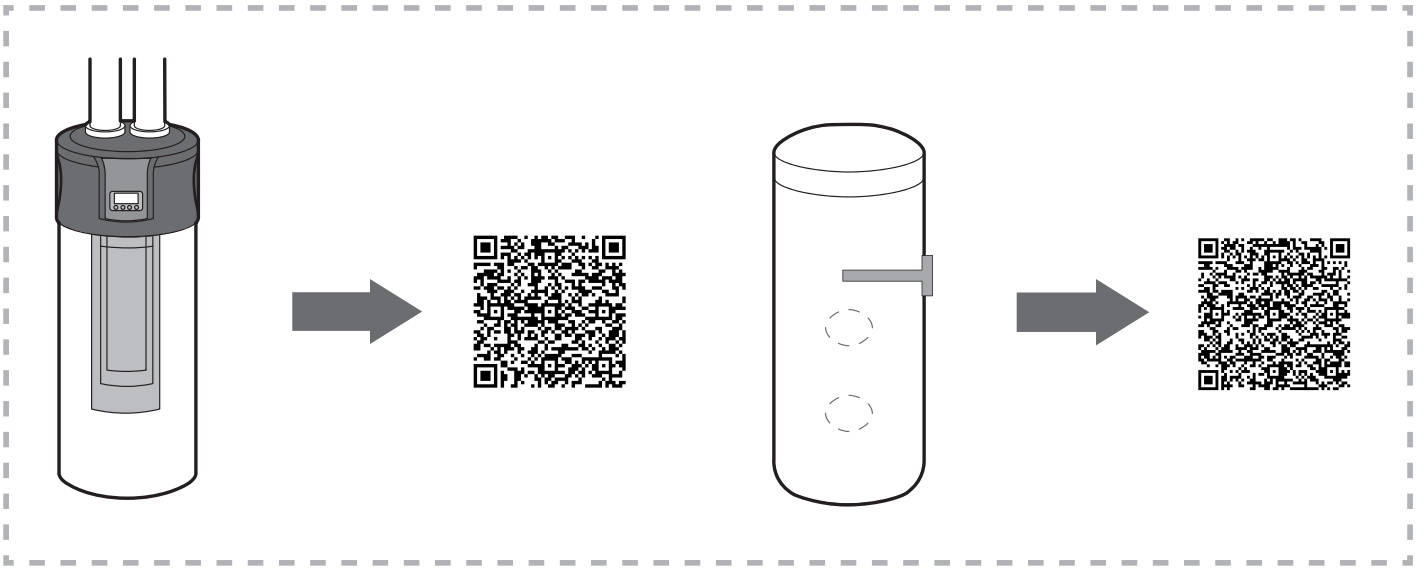








Lorem ipsum





contact@dualsun.fr



@



@



___ / ___ / 20__



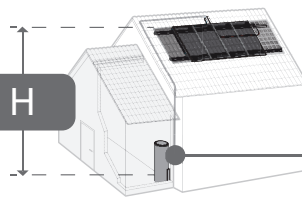
Watt

Watt

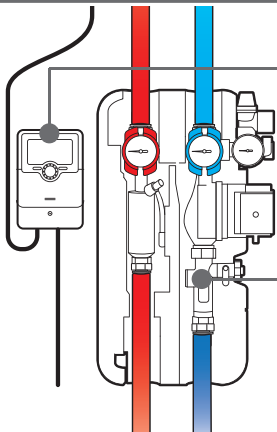


H = m

H



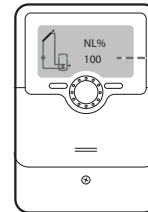
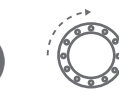
V = L



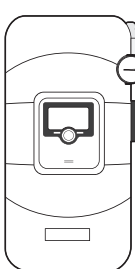
1

... L/min

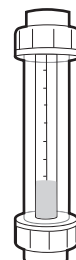
2



... %



... bar



... m³/h



+33 4 13 41 53 70

