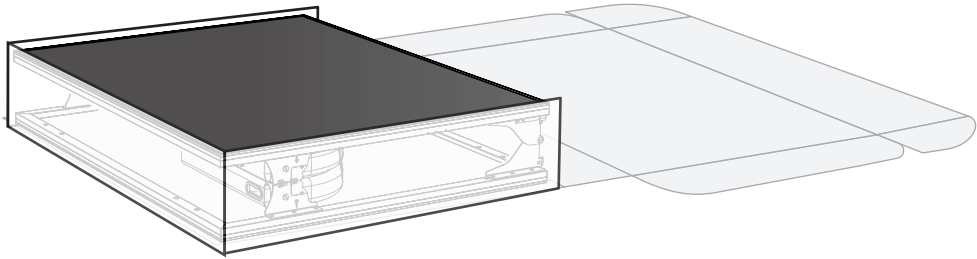
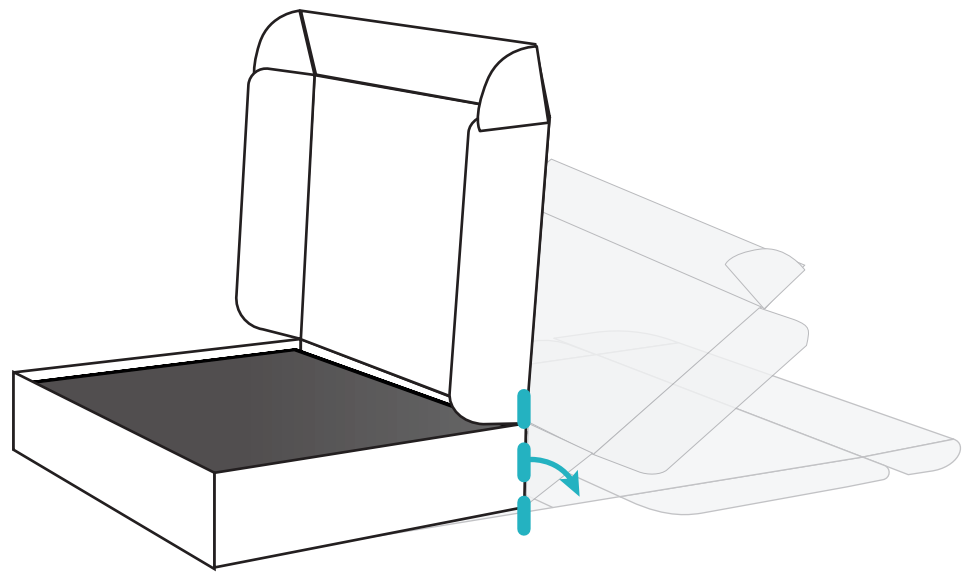
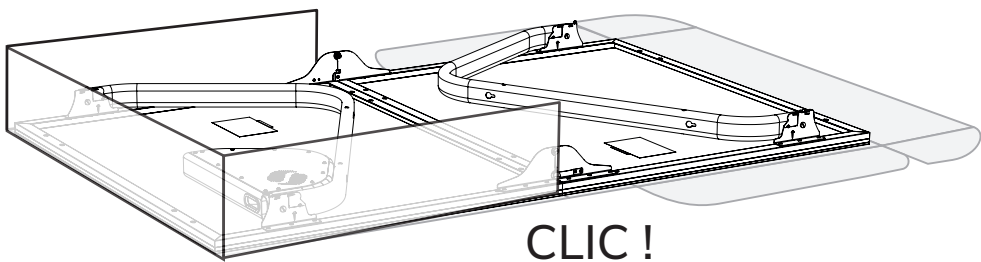
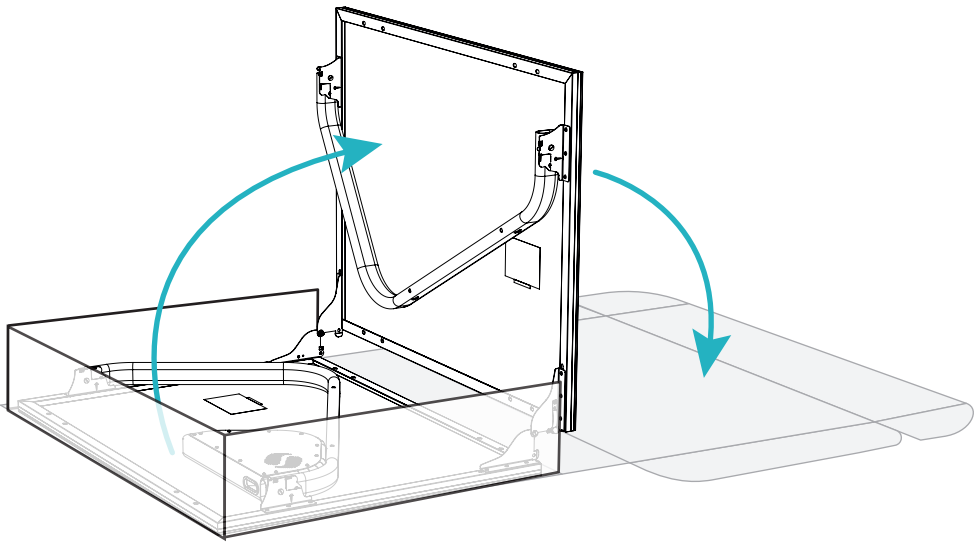


1

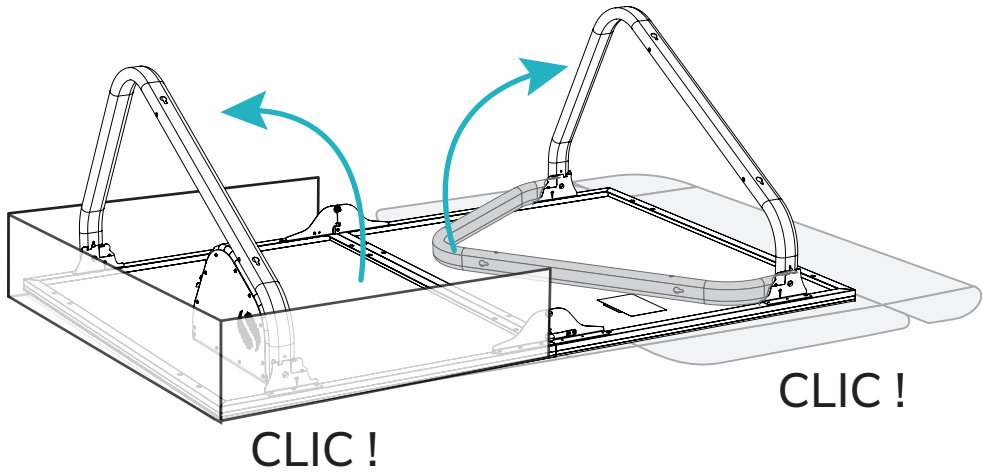


2

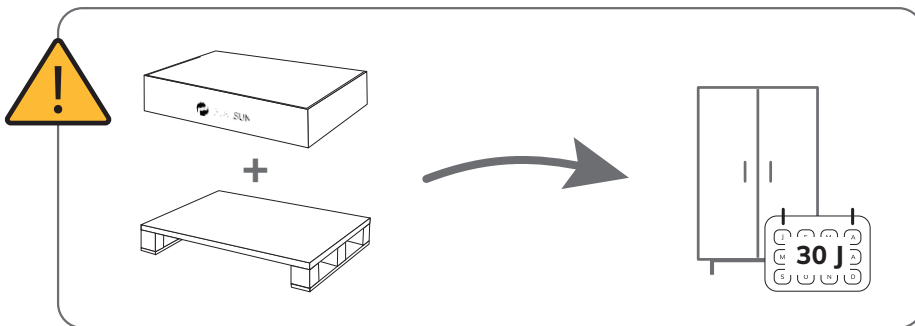
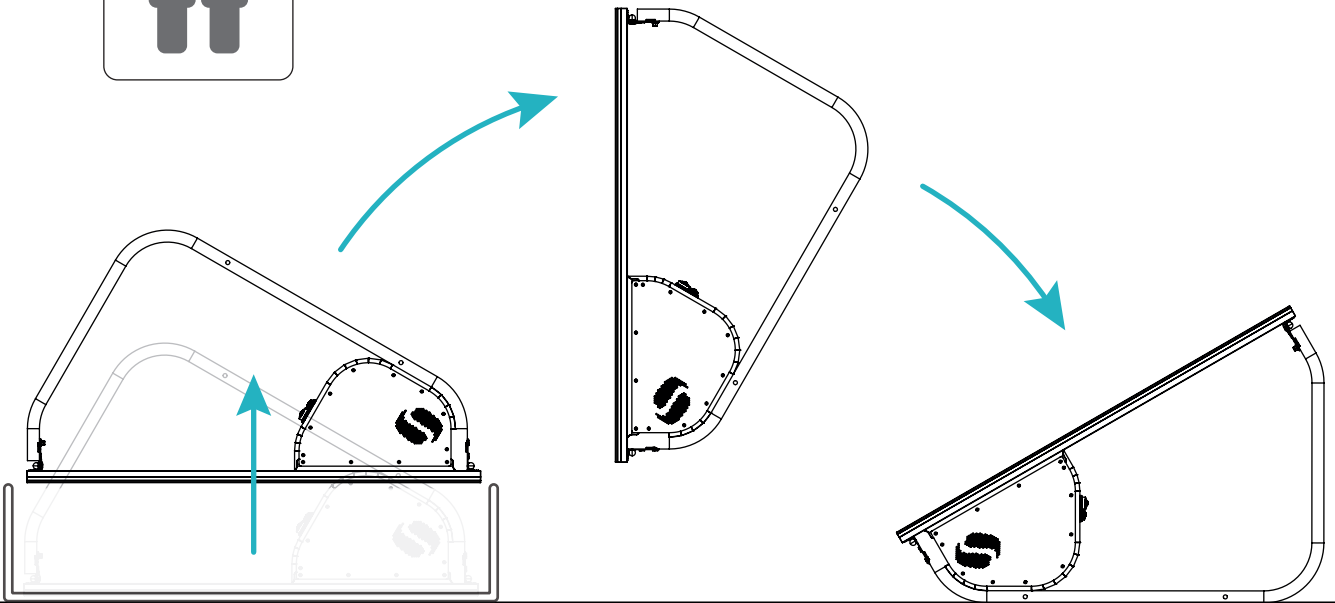


CLIC !

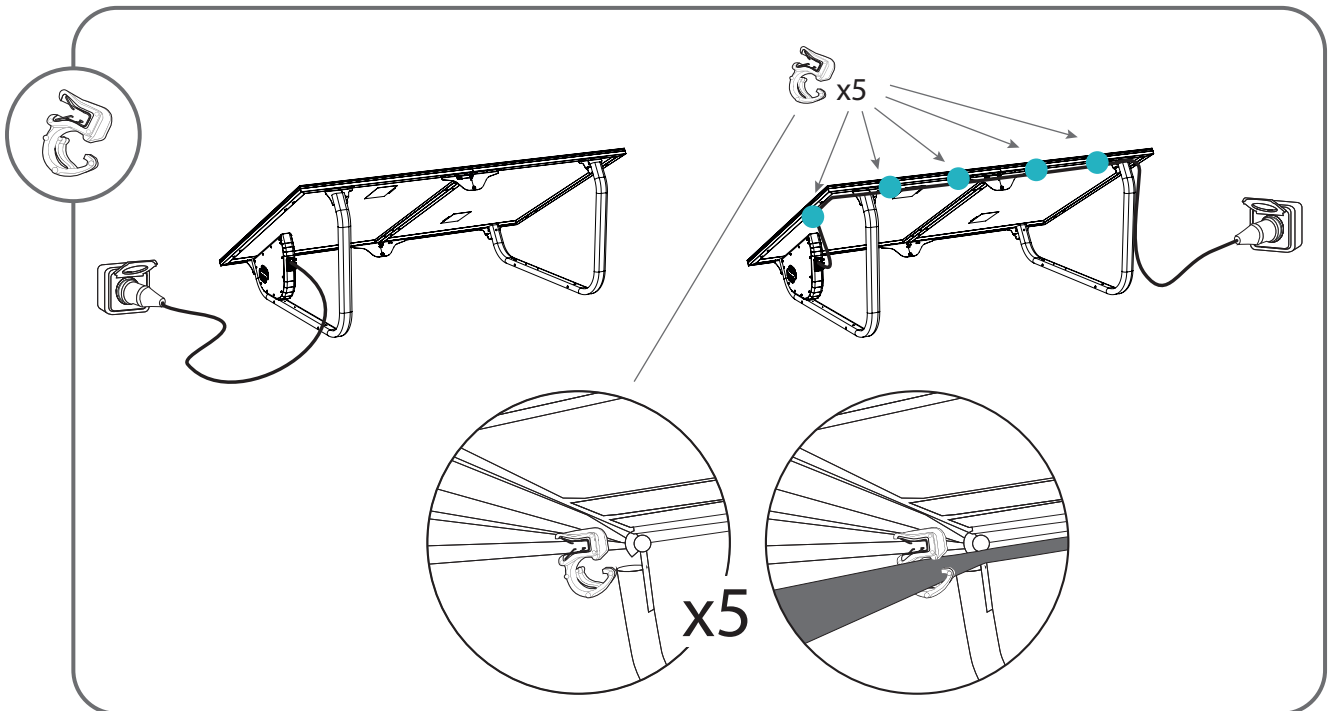
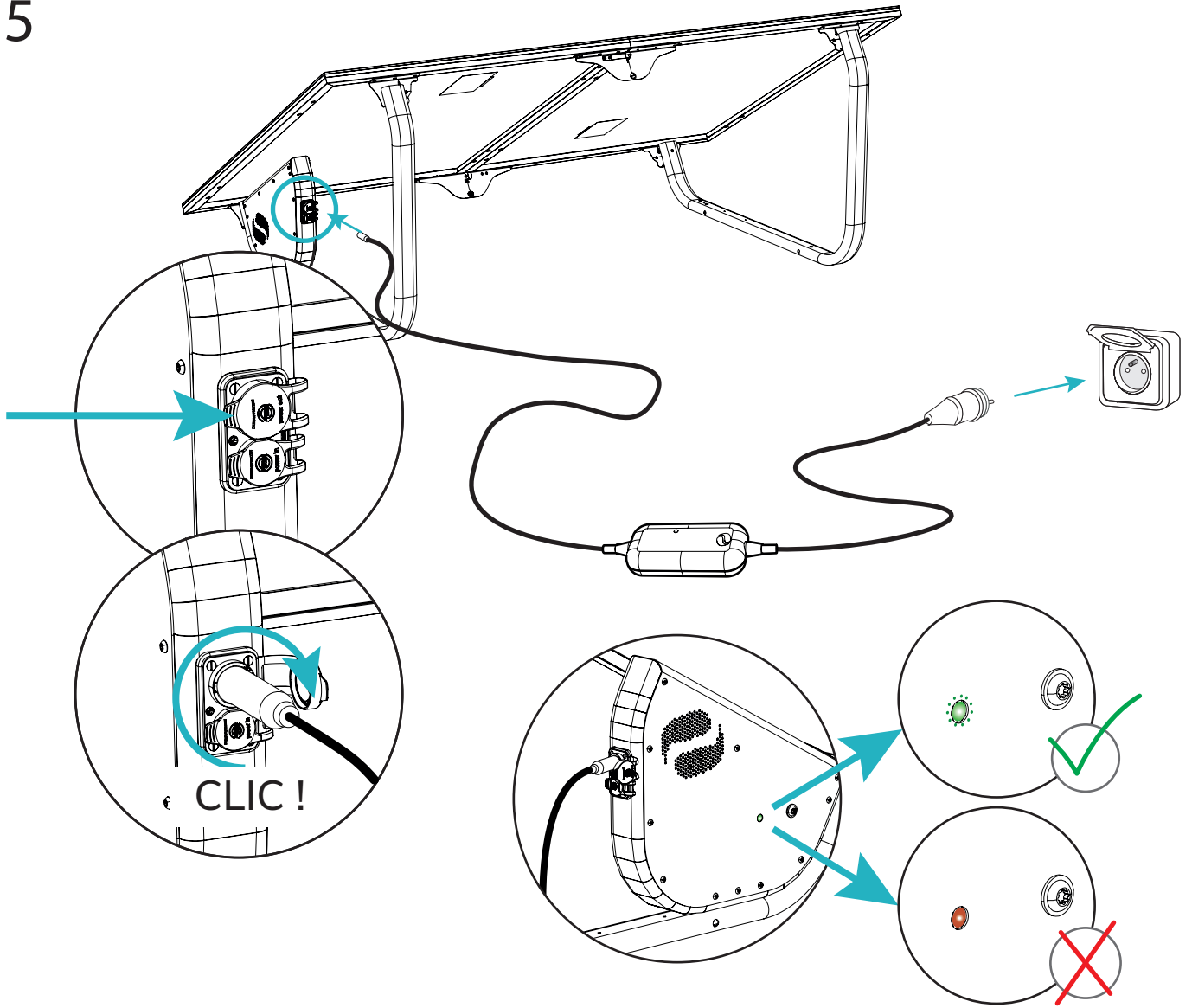
3



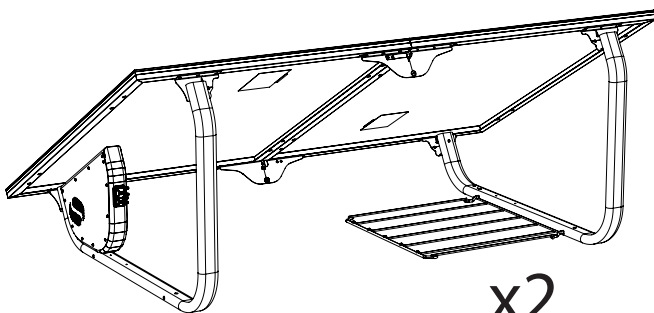
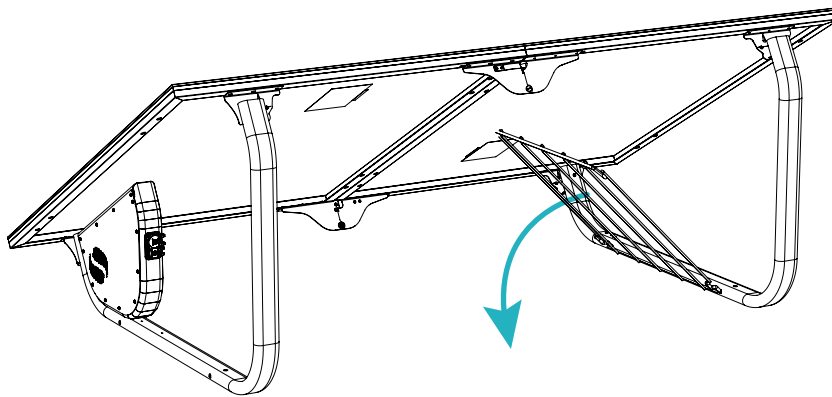
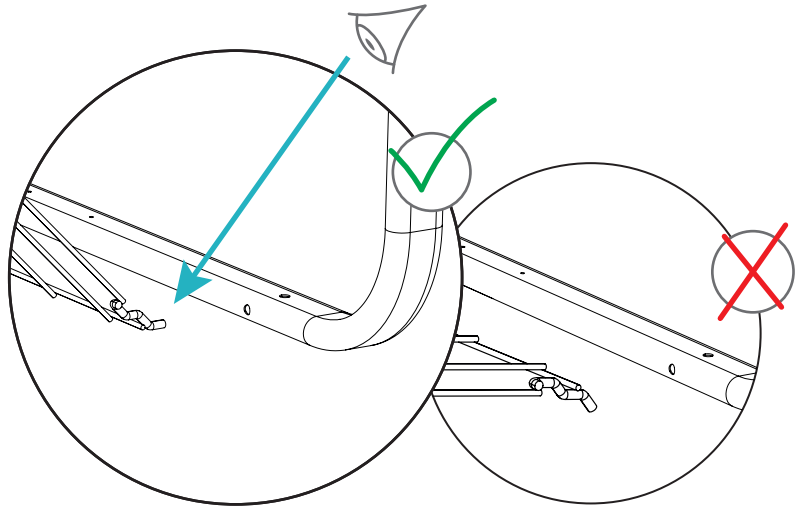
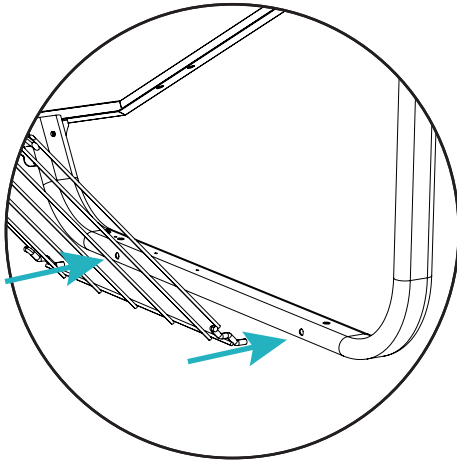
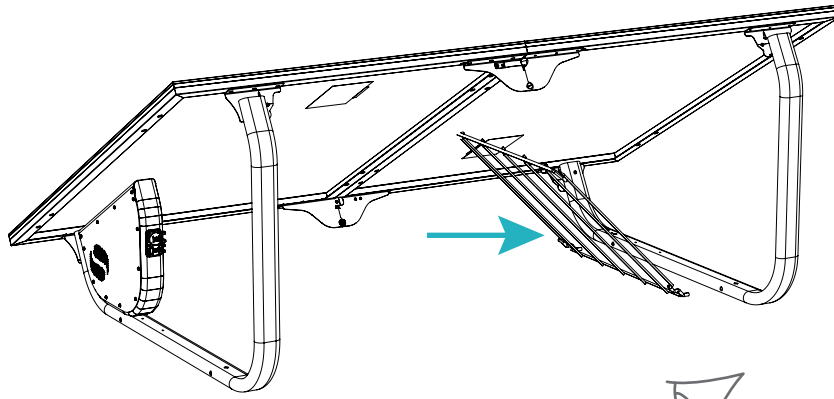
4



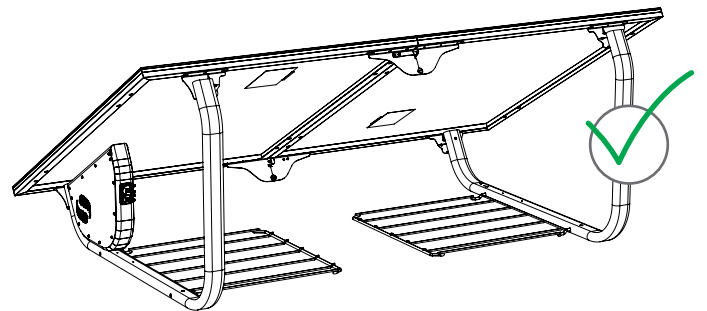
5



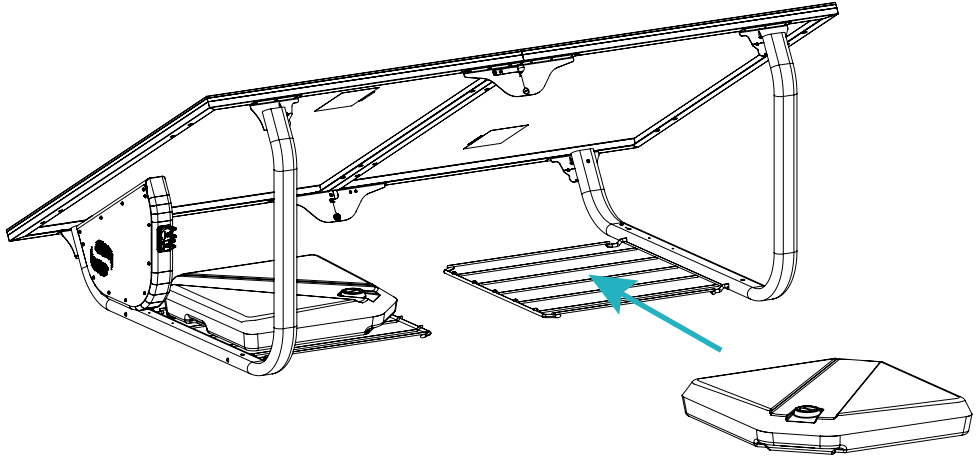
6



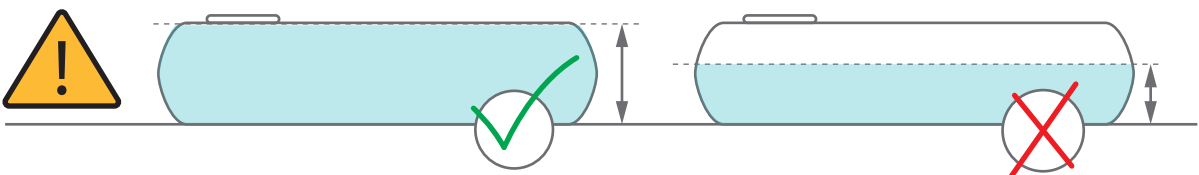
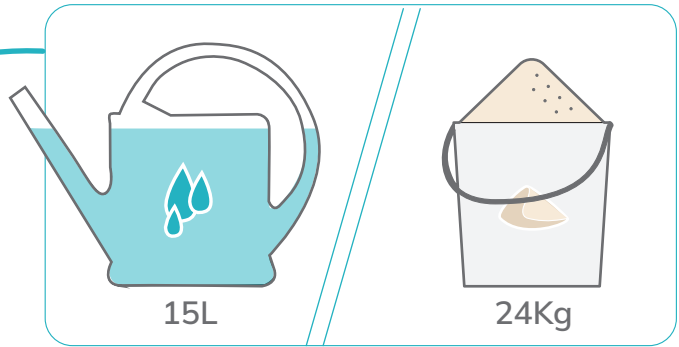
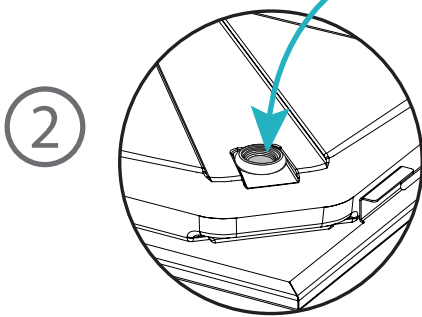
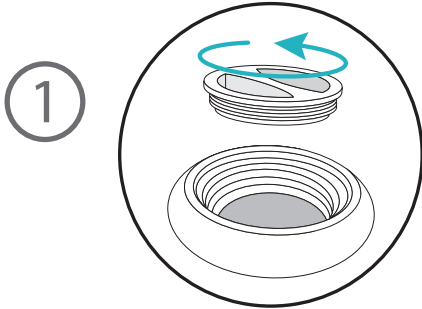
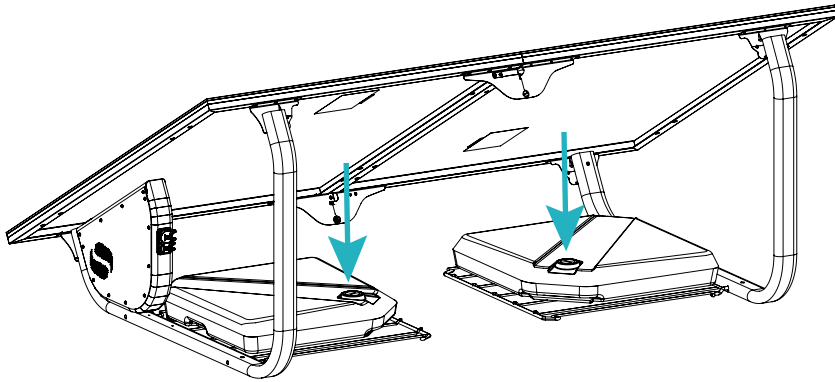
x2

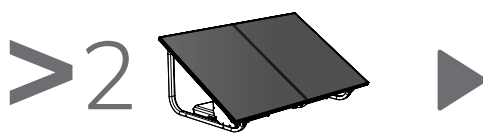
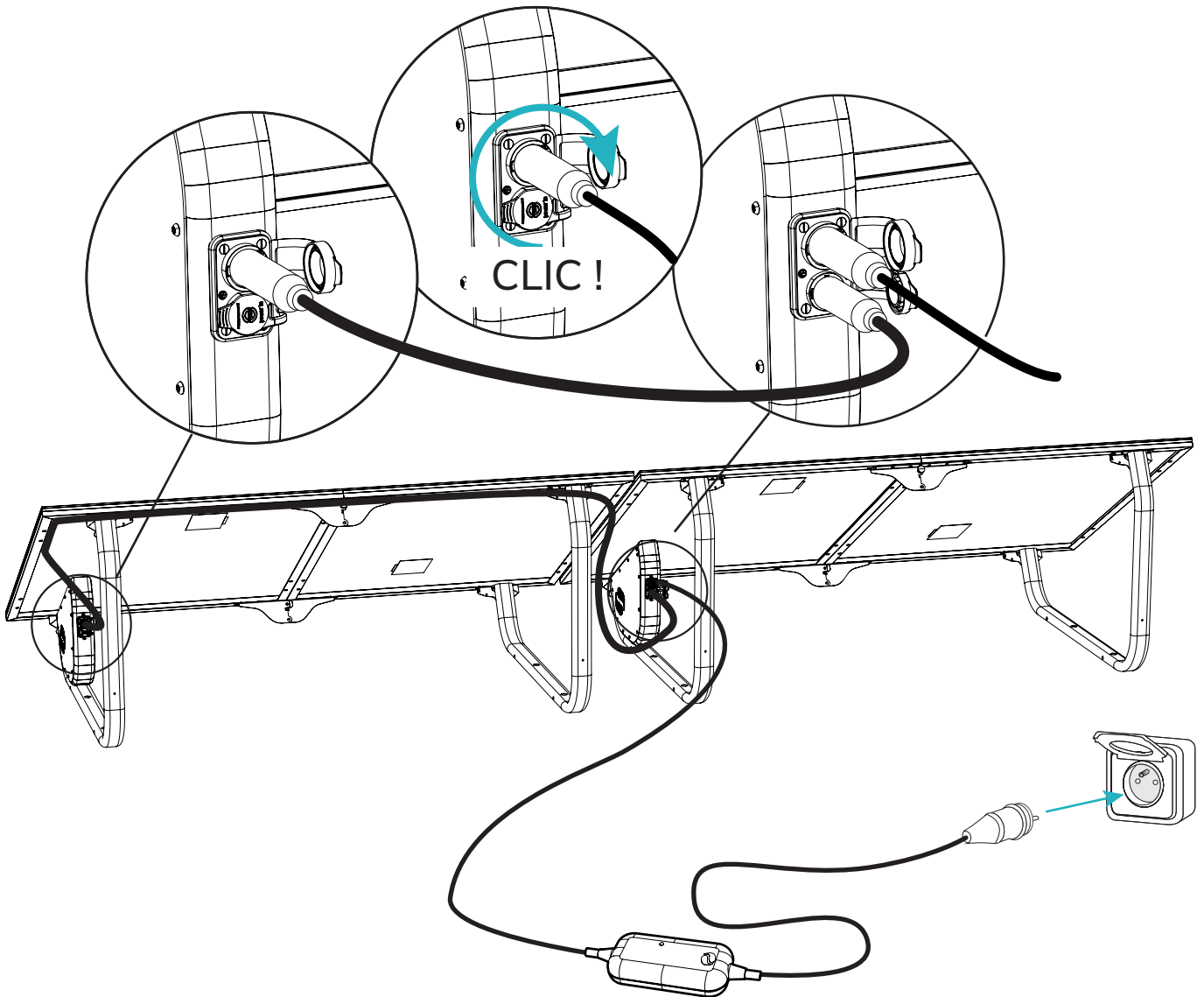
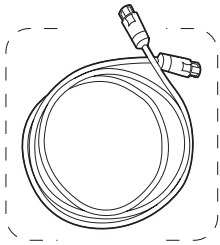
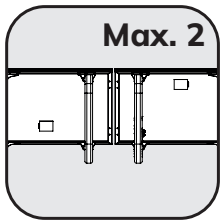


7

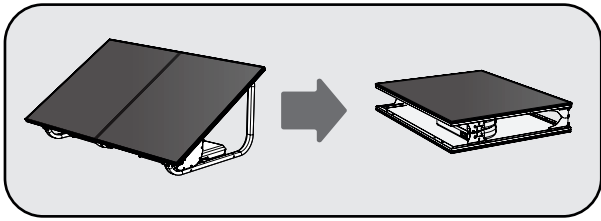


8

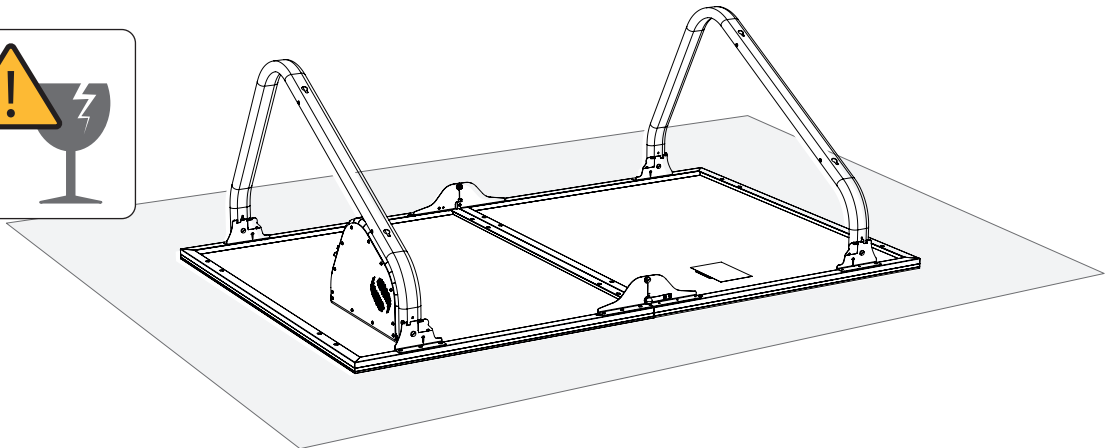
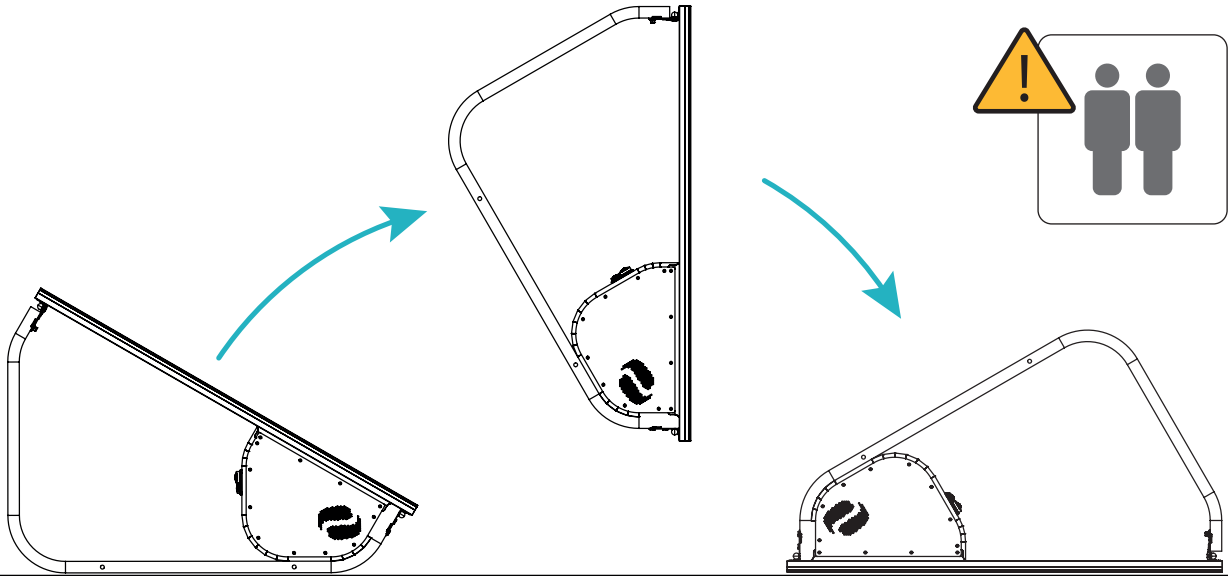




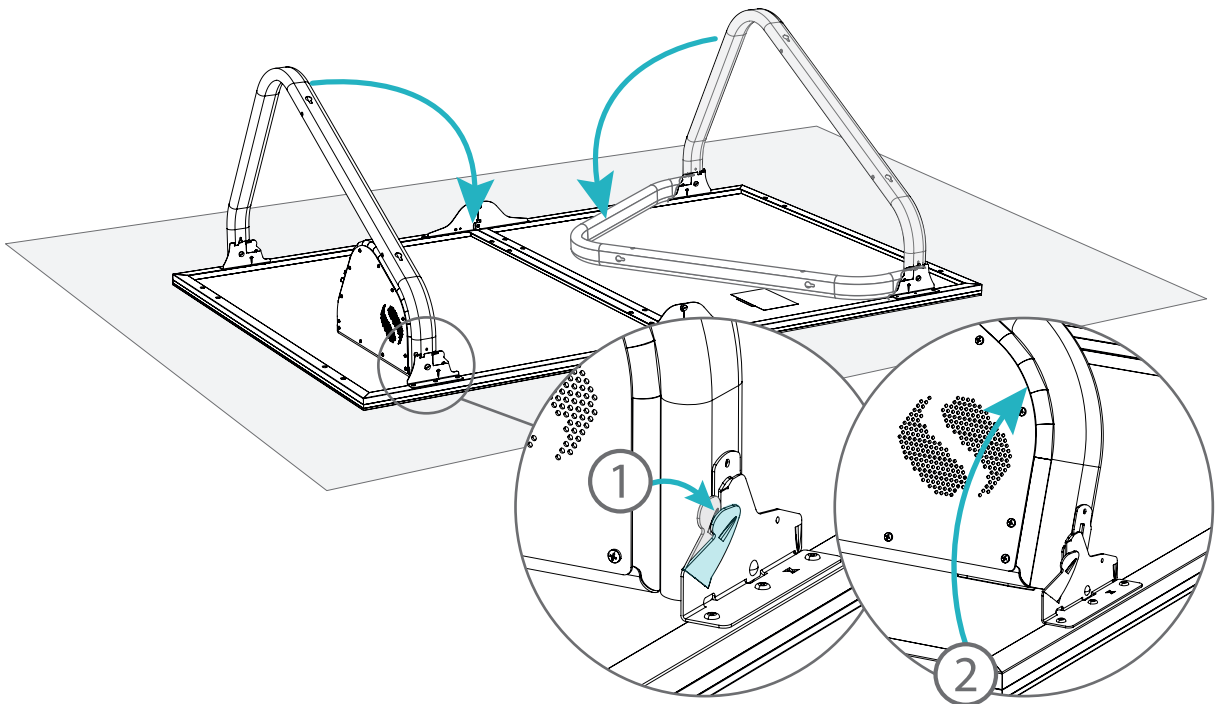


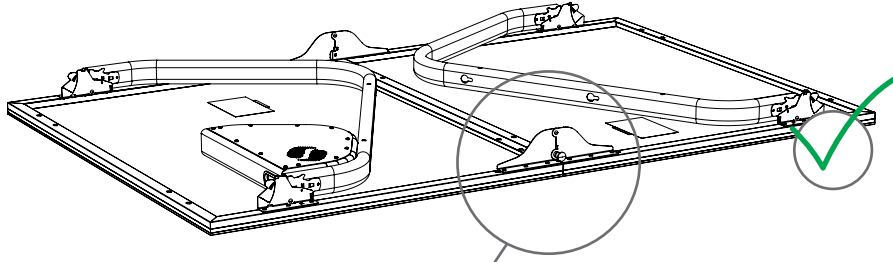


1



2





3

